

## ABC POWDER - BASED HOME FIRE EXTINGUISHERS

### PRODUCT OVERVIEW

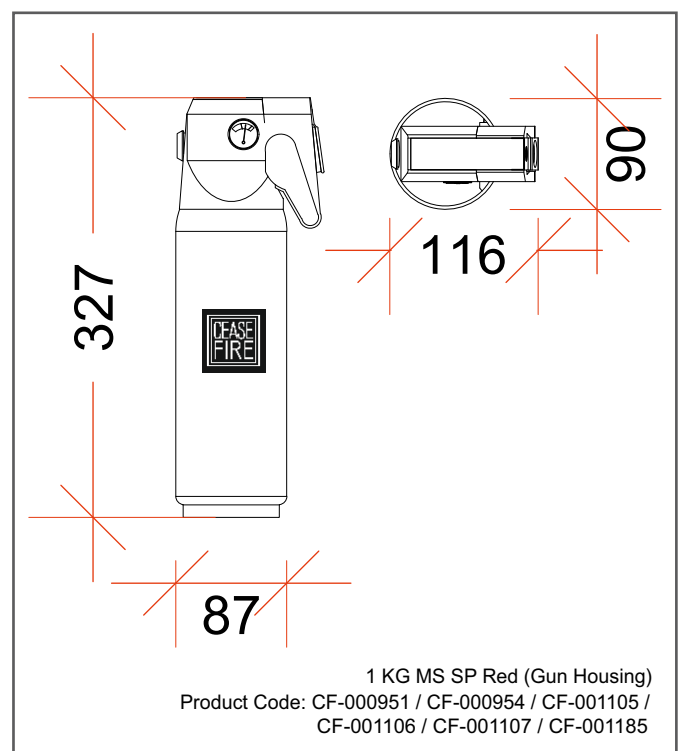
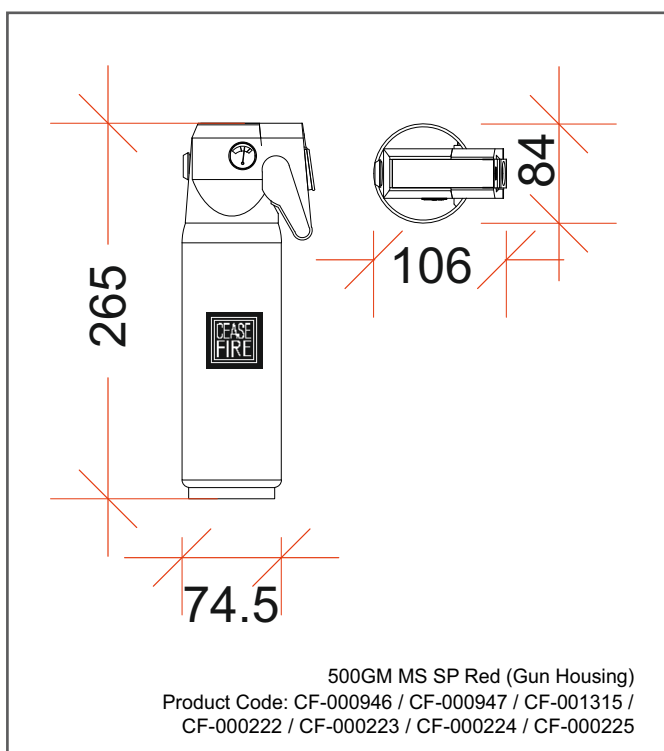
Ceasefire's ABC extinguishers are engineered for comprehensive protection, effective against Class A, B, and C fires, as well as electrical fires, removing the uncertainty and delay in selecting the correct extinguisher during critical moments.

These extinguishers are designed for rapid response with a simple two-step activation process, allowing fire suppression within seconds. With a 90% concentration of Mono Ammonium Phosphate, they deliver maximum firefighting capability. Rigorous quality controls and multi-point testing ensure consistent performance and reliability when it matters most.

Available in 500g and 1kg sizes, the ABC Powder variants are tailored for home fire scenarios, featuring a lightweight, intuitive 'point and shoot' design for ease of use.



### ENGINEERING DRAWINGS





TECHNICAL SPECIFICATIONS

| Product Code                    | UOM | CF-000946  | CF-000947  | CF-001315  | CF-000222   | CF-000223  | CF-000224  | CF-000225   |
|---------------------------------|-----|--|--|--|---|--|--|---|
| <b>Description</b>              | —   | Fire Ext MAP90 500gm MS SP Hexalight (Gun Housing)                                   | Fire Ext MAP90 500gm MS SP Kiterunner (Gun Housing)                                  | Fire Ext MAP90 500gm MS SP Union Jack (Gun Housing)                                  | Fire Ext MAP90 500gm MS SP Blue Texture (Gun Housing)                         | Fire Ext MAP90 500gm MS SP Ivory Texture (Gun Housing)                         | Fire Ext MAP90 500gm MS SP Red Texture (Gun Housing)                         | Fire Ext MAP90 500gm MS SP Silver Texture (Gun Housing)                         |
| <b>Category</b>                 | —   | Art Range  | Art Range  | Art Range  | Classic Range   | Classic Range  | Classic Range  | Classic Range   |
| <b>Design</b>                   | —   | Hexalight  | Kiterunner   | Union Jack   | Blue Texture  | Ivory Texture  | Red Texture  | Silver Texture  |
| <b>Capacity of Agent</b>        | Kg  | 0.5 ± 5%   | 0.5 ± 5%   | 0.5 ± 5%   | 0.5 ± 5%  | 0.5 ± 5%   | 0.5 ± 5%   | 0.5 ± 5%  |
| <b>Certification</b>            | —   | PED UKCA   | PED UKCA   | PED UKCA   | PED UKCA  | PED UKCA   | PED UKCA   | PED UKCA  |
| <b>Diameter of Shell</b>        | mm  | 74.5   | 74.5   | 74.5   | 74.5  | 74.5   | 74.5   | 74.5  |
| <b>Total Height (approx.)</b>   | mm  | 265  | 265  | 265  | 265   | 265  | 265  | 265   |
| <b>MOC of Shell</b>             | —   | Steel CR2 (DC01)   | Steel CR2 (DC01)   | Steel CR2 (DC01)   | Steel CR2 (DC01)  | Steel CR2 (DC01)   | Steel CR2 (DC01)   | Steel CR2 (DC01)  |
| <b>Min. Wall Thickness</b>      | mm  | 1.2  | 1.2  | 1.2  | 1.2   | 1.2  | 1.2  | 1.2   |
| <b>Test Pressure</b>            | Bar | 35   | 35   | 35   | 35  | 35   | 35   | 35  |
| <b>Anti-Corrosive Treatment</b> | —   | Outer surfaces are EP powder coated having a thickness of 50-micron min. White Shade | Outer surfaces are EP powder coated having a thickness of 50-micron min. White Shade | Outer surfaces are EP powder coated having a thickness of 50-micron min. White Shade | Outer surfaces are EP powder coated having a thickness of 50-micron min. Blue | Outer surfaces are EP powder coated having a thickness of 50-micron min. Ivory | Outer surfaces are EP powder coated having a thickness of 50-micron min. Red | Outer surfaces are EP powder coated having a thickness of 50-micron min. Silver |
| <b>Service Pressure</b>         | Bar | 15   | 15   | 15   | 15  | 15   | 15   | 15  |



| Product Code   | UOM  | CF-000946                          | CF-000947                          | CF-001315                          | CF-000222                          | CF-000223                          | CF-000224                          | CF-000225                          |
|--|------|------------------------------------|------------------------------------|------------------------------------|------------------------------------|------------------------------------|------------------------------------|------------------------------------|
| <b>Type of Operating Mechanism</b>                   | —    | Thumb Trigger                      | Thumb Trigger                      | Thumb Trigger                      | Thumb Trigger                      | Thumb Trigger                      | Thumb Trigger                      | Thumb Trigger                      |
| <b>Type of Pressure Gauge</b>                        | —    | Magnetic Bourdon Tube Type         | Magnetic Bourdon Tube Type         | Magnetic Bourdon Tube Type         | Magnetic Bourdon Tube Type         | Magnetic Bourdon Tube Type         | Magnetic Bourdon Tube Type         | Magnetic Bourdon Tube Type         |
| <b>Type of Dis. Fitting &amp; Length</b>             | —    | Direct Nozzle                      | Direct Nozzle                      | Direct Nozzle                      | Direct Nozzle                      | Direct Nozzle                      | Direct Nozzle                      | Direct Nozzle                      |
| <b>Throw up to (approx.)</b>                         | m    | 3                                  | 3                                  | 3                                  | 3                                  | 3                                  | 3                                  | 3                                  |
| <b>Operating Temperature Range</b>                   | °C   | From -30°C to + 60°C               | From -30°C to + 60°C               | From -30°C to + 60°C               | From -30°C to + 60°C               | From -30°C to + 60°C               | From -30°C to + 60°C               | From -30°C to + 60°C               |
| <b>Applicable to Type of Fire</b>                    | —    | A, B, C, & Electrical Started Fire | A, B, C, & Electrical Started Fire | A, B, C, & Electrical Started Fire | A, B, C, & Electrical Started Fire | A, B, C, & Electrical Started Fire | A, B, C, & Electrical Started Fire | A, B, C, & Electrical Started Fire |
| <b>Filled Weight Range (approx.)*</b>                | Kg   | 1.45                               | 1.45                               | 1.45                               | 1.45                               | 1.45                               | 1.45                               | 1.45                               |
| <b>Packed Weight Range (approx.)**</b>               | Kg   | 1.68                               | 1.68                               | 1.68                               | 1.68                               | 1.68                               | 1.68                               | 1.68                               |
| <b>Packed Size Length x Width x Height (approx.)</b> | mm   | 125 x 115 x 400                    | 125 x 115 x 400                    | 125 x 115 x 400                    | 125 x 115 x 400                    | 125 x 115 x 400                    | 125 x 115 x 400                    | 125 x 115 x 400                    |
| <b>Product Warranty</b>                              | Year | 1                                  | 1                                  | 1                                  | 1                                  | 1                                  | 1                                  | 1                                  |

\*It includes Empty Extinguisher, Contents, Hose / Nozzle and trolley.

\*\*It includes Empty Extinguisher, Packaging, Contents, Hose / Nozzle and trolley.



TECHNICAL SPECIFICATIONS

| Product Code                    | UOM | CF-000951  | CF-000954  | CF-001105   | CF-001106  | CF-001107   | CF-001185  |
|---------------------------------|-----|--|--|---|--|---|--|
| <b>Description</b>              | —   | Fire Ext MAP90<br>1 Kg MS SP<br>Waves (Gun<br>Housing)                               | Fire Ext MAP90<br>1 Kg MS SP<br>Elasticity (Gun<br>Housing)                          | Fire Ext MAP90<br>1 Kg MS SP<br>Ivory Texture<br>(Gun Housing)                | Fire Ext MAP90<br>1 Kg MS SP<br>Blue Texture<br>(Gun Housing)                  | Fire Ext MAP90<br>1 Kg MS SP<br>Silver Texture<br>(Gun Housing)                 | Fire Ext MAP90<br>1 Kg MS SP<br>Red Texture<br>(Gun Housing)                 |
| <b>Category</b>                 | —   | Art Range  | Art Range  | Classic Range   | Classic Range  | Classic Range   | Classic Range  |
| <b>Design</b>                   | —   | Hexalight  | Kiterunner   | Blue Texture  | Ivory Texture  | Silver Texture  | Red Texture  |
| <b>Capacity of Agent</b>        | Kg  | 1 ± 5%   | 1 ± 5%   | 1 ± 5%  | 1 ± 5%   | 1 ± 5%  | 1 ± 5%   |
| <b>Certification</b>            | —   | PED<br>UKCA  | PED<br>UKCA  | EN3 - LPCB*<br>PED<br>UKCA  | EN3 - LPCB*<br>PED<br>UKCA   | EN3 - LPCB*<br>PED<br>UKCA  | EN3 - LPCB*<br>PED<br>UKCA   |
| <b>Diameter of Shell</b>        | mm  | 86.5   | 86.5   | 86.5  | 86.5   | 86.5  | 86.5   |
| <b>Total Height (approx.)</b>   | mm  | 325  | 325  | 325   | 325  | 325   | 325  |
| <b>MOC of Shell</b>             | —   | Steel CR2<br>(DC01)  | Steel CR2<br>(DC01)  | Steel CR2<br>(DC01)   | Steel CR2<br>(DC01)  | Steel CR2<br>(DC01)   | Steel CR2<br>(DC01)  |
| <b>Min. Wall Thickness</b>      | mm  | 1.6  | 1.6  | 1.0   | 1.0  | 1.0   | 1.0  |
| <b>Test Pressure</b>            | Bar | 35   | 35   | 35  | 35   | 35  | 35   |
| <b>Anti-Corrosive Treatment</b> | —   | Outer surfaces are EP powder coated having a thickness of 50-micron min. White Shade | Outer surfaces are EP powder coated having a thickness of 50-micron min. White Shade | Outer surfaces are EP powder coated having a thickness of 50-micron min. Blue | Outer surfaces are EP powder coated having a thickness of 50-micron min. Ivory | Outer surfaces are EP powder coated having a thickness of 50-micron min. Silver | Outer surfaces are EP powder coated having a thickness of 50-micron min. Red |
| <b>Service Pressure</b>         | Bar | 15   | 15   | 15  | 15   | 15  | 15   |



| Product Code                                  | UOM  | CF-000951                          | CF-000954                          | CF-001105                          | CF-001106                          | CF-001107                          | CF-001185                          |
|---|------|------------------------------------|------------------------------------|------------------------------------|------------------------------------|------------------------------------|------------------------------------|
| Type of Operating Mechanism                   | —    | Thumb Trigger                      | Thumb Trigger                      | Thumb Trigger                      | Thumb Trigger                      | Thumb Trigger                      | Thumb Trigger                      |
| Type of Pressure Gauge                        | —    | Magnetic Bourdon Tube Type         | Magnetic Bourdon Tube Type         | Magnetic Bourdon Tube Type         | Magnetic Bourdon Tube Type         | Magnetic Bourdon Tube Type         | Magnetic Bourdon Tube Type         |
| Type of Dis. Fitting & Length                 | —    | Direct Nozzle                      | Direct Nozzle                      | Direct Nozzle                      | Direct Nozzle                      | Direct Nozzle                      | Direct Nozzle                      |
| Throw up to (approx.)                         | m    | 3                                  | 3                                  | 3                                  | 3                                  | 3                                  | 3                                  |
| Min. Discharge Time                           | Sec. | —                                  | —                                  | 9                                  | 9                                  | 9                                  | 9                                  |
| Fire Rating                                   | —    | —                                  | —                                  | 5A   21B                           | 5A   21B                           | 5A   21B                           | 5A   21B                           |
| Operating Temperature Range                   | °C   | From -30°C to +60°C                | From -30°C to +60°C                | From -30°C to +60°C                | From -30°C to +60°C                | From -30°C to +60°C                | From -30°C to +60°C                |
| Applicable to Type of Fire                    | —    | A, B, C, & Electrical Started Fire | A, B, C, & Electrical Started Fire | A, B, C, & Electrical Started Fire | A, B, C, & Electrical Started Fire | A, B, C, & Electrical Started Fire | A, B, C, & Electrical Started Fire |
| Filled Weight Range (approx.)**               | Kg   | 2.20 to 2.30                       | 2.20 to 2.30                       | 2.20 to 2.30                       | 2.20 to 2.30                       | 2.20 to 2.30                       | 2.20 to 2.30                       |
| Packed Weight Range (approx.)***              | Kg   | 2.68                               | 2.68                               | 2.68                               | 2.68                               | 2.68                               | 2.68                               |
| Packed Size Length x Width x Height (approx.) | mm   | 125 x 115 x 400                    | 125 x 115 x 400                    | 125 x 115 x 400                    | 125 x 115 x 400                    | 125 x 115 x 400                    | 125 x 115 x 400                    |
| Product Warranty                              | Year | 1                                  | 1                                  | 1                                  | 1                                  | 1                                  | 1                                  |

\*Technical approval to EN 3 except EN 3-7 clause 16.1 LPCB ref 1329g.

\*\*It includes Empty Extinguisher, Contents, Hose / Nozzle and trolley.

\*\*\*It includes Empty Extinguisher, Packaging, Contents, Hose / Nozzle and trolley.

**CERTIFICATIONS**



**PRODUCT PICTURES**

DESIGNER SERIES  
**THE CLASSIC RANGE**



1 KG

500 GM

1 KG

500 GM

1 KG

500 GM

1 KG

500 GM

PRODUCT PICTURES

DESIGNER SERIES  
THE ART RANGE



Kiterunner

500 GM



Hexalight

500 GM



Union Jack

500 GM



Elasticity 1 KG



Waves 1 KG

\*v1' Published Date is 30-05-2026.

\*\*Regular R&D and product improvisations may lead to change in product specifications in this data sheet, without any prior notice.