

# WATER-BASED PORTABLE EXTINGUISHERS (SPRAY MODEL)

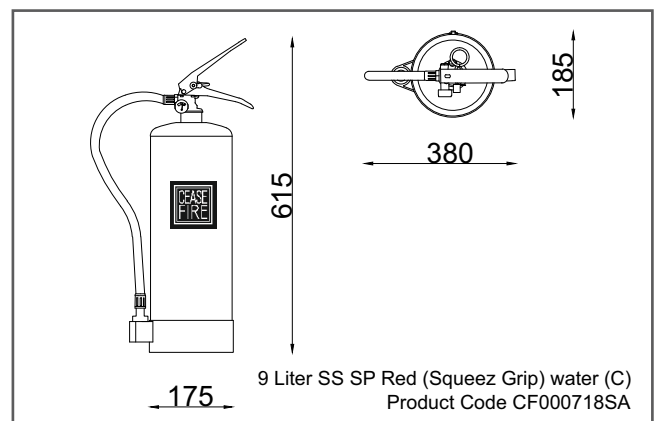
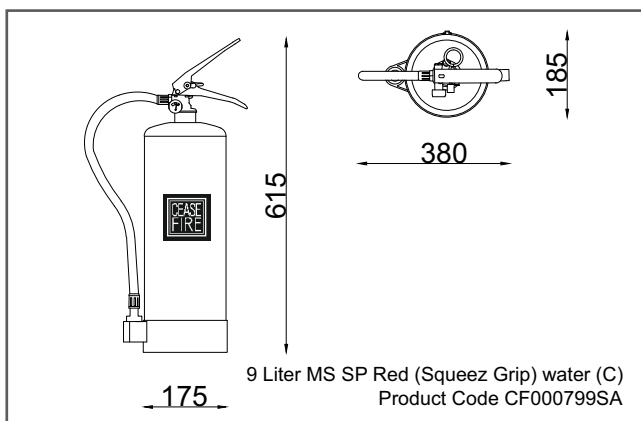
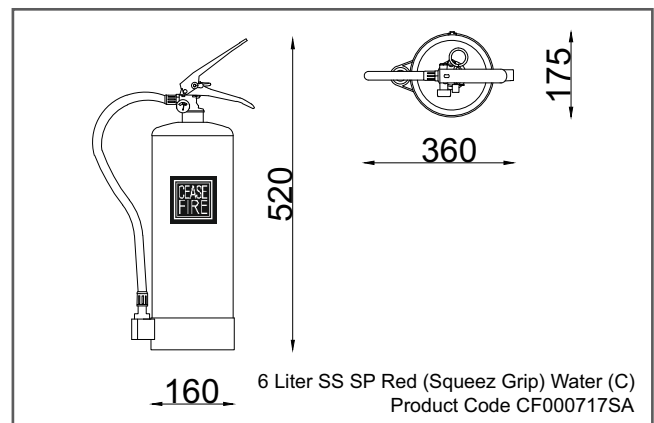
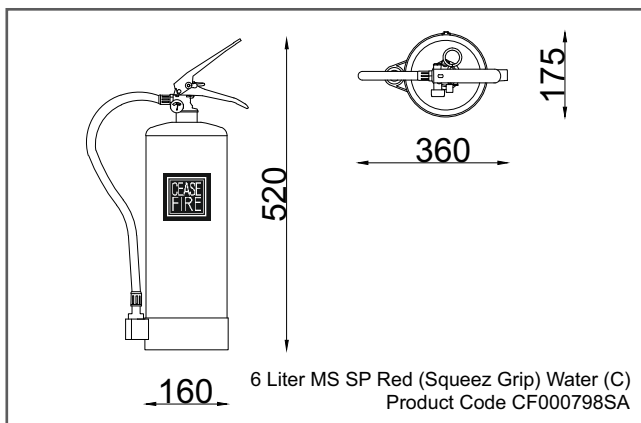
## PRODUCT OVERVIEW

When a fire breaks out, there are bigger dangers than the ones you can see. The rising temperature of fuel around the fire and paper and cloth fires are the best examples. Water is the only extinguishing agent that can instantly bring down the temperature of the fire and the area around it.

Ceasefire's Water Spray model extinguishers can be used on Class A, F, and Electrically started fires, making them more effective against the fire. The spray model extinguisher disperses the extinguishing agent via a specially designed Spray Nozzle. It is suitable to use on live electrical equipment upto 1000 V from a distance of 1 metre.



## ENGINEERING DRAWINGS





TECHNICAL SPECIFICATIONS

Product Code	UOM	CF-000798SA	CF-000717SA	CF-000799SA	CF-000718SA
Description	—	Fire Ext Water 6L MS SP Red (Spray model) (C)	Fire Ext Water 6L SS SP Red (Spray model) (C)	Fire Ext Water 9L MS SP Red (Spray model) (C)	Fire Ext Water 9L SS SP Red (Spray model) (C)
Capacity of Agent	L	6-5%	6-5%	9-5%	9-5%
Certification	—	BS EN3 - LPCB BS EN3 - KITEMARK EU-MED UKCA-MER PED UKCA-PED	BS EN3 - LPCB BS EN3 - KITEMARK EU-MED UKCA-MER PED UKCA-PED	BS EN3 - LPCB BS EN3 - KITEMARK EU-MED UKCA-MER PED UKCA-PED	BS EN3 - LPCB BS EN3 - KITEMARK EU-MED UKCA-MER PED UKCA-PED
Diameter of Shell	MM	160	160	175	175
Total Height (approx.)	MM	520	520	615	610
MOC of Shell	—	Steel CR2(DC01)	SS 304 (1.4301)	Steel CR2(DC01)	SS 304 (1.4301)
Min. Wall Thickness	MM	1.6	1.5	2	1.5
Test Pressure	BAR	35	35	35	35
Anti-Corrosive Treatment	—	Outer & Inner surfaces were EP Powder coated having Thickness 50 Micron Min. RAL Shade 3000	Outer & Inner surfaces were EP Powder coated having Thickness 50 Micron Min. RAL Shade 3000	Outer & Inner surfaces were EP Powder coated having Thickness 50 Micron Min. RAL Shade 3000	Outer & Inner surfaces were EP Powder coated having Thickness 50 Micron Min. RAL Shade 3000
Service Pressure	BAR	10	10	10	10
Type of Operating Mechanism	—	Squeeze Grip with NRV and Burst Disc.	Squeeze Grip with NRV and Burst Disc.	Squeeze Grip with NRV and Burst Disc.	Squeeze Grip with NRV and Burst Disc.
Type of Pressure Gauge	—	Magnetic Bourdon Tube Type	Magnetic Bourdon Tube Type	Magnetic Bourdon Tube Type	Magnetic Bourdon Tube Type



Product Code	UOM	CF-000798SA	CF-000717SA	CF-000799SA	CF-000718SA
<b>Type of Dis. Fitting &amp; Length</b>	MM	EPDM Rubber Braided Hose Pipe with nozzle Length of Hose 400 mm (Min.)	EPDM Rubber Braided Hose Pipe with nozzle Length of Hose 400 mm (Min.)	EPDM Rubber Braided Hose Pipe with nozzle Length of Hose 500 mm (Min.)	EPDM Rubber Braided Hose Pipe with nozzle Length of Hose 500 mm (Min.)
<b>Throw up to (approx.)</b>	METER	7	7	7	7
<b>Average Discharge Duration as per BS EN 3-7:2004+A1:2007, clause 71.2</b>	SEC.	9	9	9	9
<b>Fire Rating</b>	—	13A   25F	13A   25F	21A   40F	21A   40F
<b>Operating Temperature Range</b>	°C	From +5°C to +60°C	From +5°C to +60°C	From +5°C to +60°C	From +5°C to +60°C
<b>Applicable to Type of Fire</b>	—	A, F & Electrical Started Fire	A, F & Electrical Started Fire	A, F & Electrical Started Fire	A, F & Electrical Started Fire
<b>Filled Weight Range*</b>	KG	9.50 to 10.10	9.50 to 10.10	14.15 to 14.85	13.05 to 13.75
<b>Packed Weight Range (approx)**</b>	KG	11.07	11.07	15.76	14.76
<b>Packed Size Length x Width x Height</b>	MM	175 x 175 x 585	175 x 175 x 585	230 x 220 x 670	230 x 220 x 670
<b>Product Warranty</b>	—	5	5	5	5

\*It includes Empty Extinguisher, Contents, Plastic Base, Hose / Horn and bracket.

\*\*It includes Empty Extinguisher, Contents, Packaging, Plastic Base, Hose / Horn and bracket.

## CERTIFICATIONS



## PRODUCT PICTURES



6 L

9 L

\*v3' Published Date is 27-04-2026.

\*\*Regular R&D and product improvisations may lead to change in product specifications in this data sheet, without any prior notice.

**CEASEFIRE INDUSTRIES UK LIMITED**

Call us at: 0-113-868-6666, 0-126-891-9999

[www.ceasefire.co.uk](http://www.ceasefire.co.uk)