

WATER-BASED PORTABLE EXTINGUISHERS

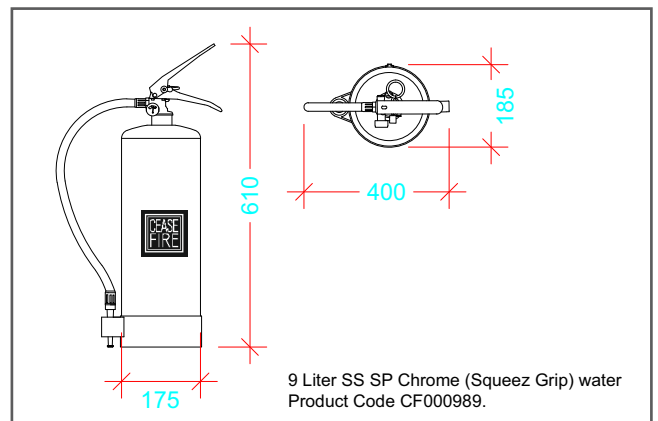
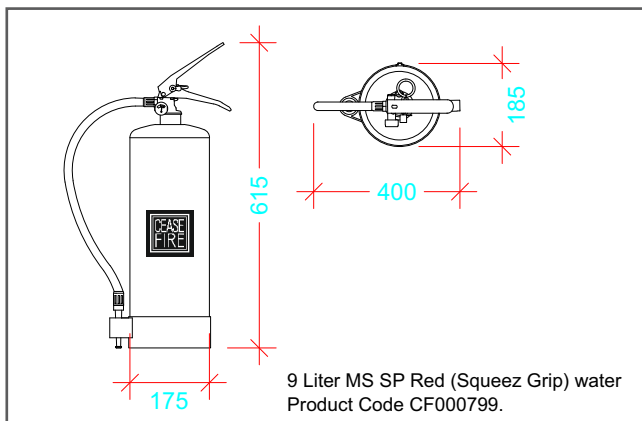
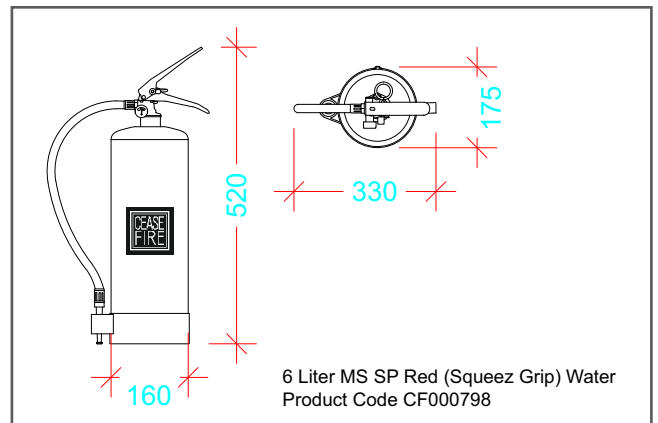
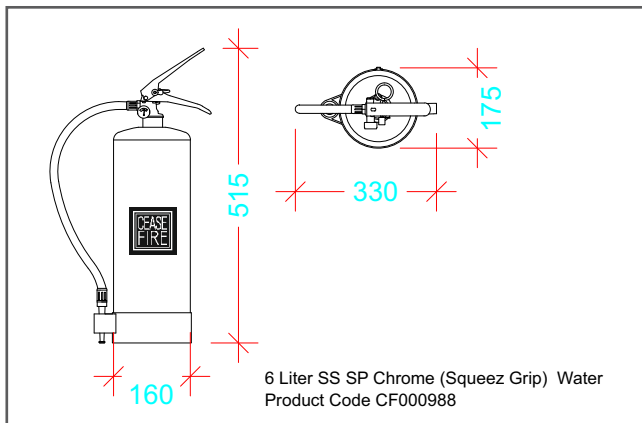
PRODUCT OVERVIEW

When a fire breaks out, there are bigger dangers than the ones you can see. The rising temperature of fuel around the fire, paper, and cloth are the best examples. Water is the only extinguishing agent that can instantly bring down the temperature of the fire and the area around it.

Ceasefire's water extinguishers use proprietary stored pressure technology, delivering a high power throw of water. It makes them more effective against the fire and allows the firefighter to stay at a safe distance from the flames. They are also packed with all the trademark features that make Ceasefire the fastest, safest, and most user-friendly extinguishers in the market today. Every Ceasefire extinguisher has ISO 9001 and CE certifications and conforms to ISI standards.



ENGINEERING DRAWINGS





TECHNICAL SPECIFICATIONS

Product Code	UOM	CF-000988	CF-000798	CF-000799	CF-000989
Description	—	Fire Ext Water 6L SS SP Chrome	Fire Ext Water 6L MS SP Red	Fire Ext Water 9L MS SP Red	Fire Ext Water 9L SS SP Chrome
Capacity of Agent	L	6-5%	6-5%	9-5%	9-5%
Certification	—	BS EN3-LPCB PED UKCA-PED	BS EN3 - LPCB BS EN3 - KITEMARK EU-MED UKCA-MER PED UKCA-PED	BS EN3 - LPCB BS EN3 - KITEMARK EU-MED UKCA-MER PED UKCA-PED	BS EN3-LPCB PED UKCA-PED
Diameter of Shell	MM	160	160	175	175
Total Height (approx.)	MM	520	520	615	610
MOC of Shell	—	SS 304 (1.4301)	Steel Cr2 (DC01)	Steel Cr2 (DC01)	SS 304 (1.4301)
Min. Wall Thickness	MM	1.5	1.4	1.4	1.5
Test Pressure	BAR	35	35	35	35
Anti-Corrosive Treatment	—	NA	Outer & Inner surfaces were EP Powder coated having Thickness 50 Micron Min. RAL Shade 3000	Outer & Inner surfaces were EP Powder coated having Thickness 50 Micron Min. RAL Shade 3000	NA
Service Pressure	BAR	10	10	10	10
Type of Operating Mechanism	—	Squeeze Grip with NRV and Burst Disc.	Squeeze Grip with NRV and Burst Disc.	Squeeze Grip with NRV and Burst Disc.	Squeeze Grip with NRV and Burst Disc.
Type of Pressure Gauge	—	Magnetic Bourdon Tube Type	Magnetic Bourdon Tube Type	Magnetic Bourdon Tube Type	Magnetic Bourdon Tube Type



Product Code	UOM	CF-000988	CF-000798	CF-000799	CF-000989
Type of Dis. Fitting & Length	MM	EPDM Rubber Braided Hose Pipe with nozzle Length of Hose 400 mm (Min.)	EPDM Rubber Braided Hose Pipe with nozzle Length of Hose 400 mm (Min.)	EPDM Rubber Braided Hose Pipe with nozzle Length of Hose 500 mm (Min.)	EPDM Rubber Braided Hose Pipe with nozzle Length of Hose 500 mm (Min.)
Throw up to (approx.)	METER	7	7	7	7
Average Discharge Duration as per BS EN 3-7:2004+A1:2007, clause 71.2	SEC.	9	9	9	9
Fire Rating	—	13A	13A	21A	21A
Operating Temperature Range	°C	From +5°C to +60°C	From +5°C to +60°C	From +5°C to +60°C	From +5°C to +60°C
Applicable to Type of Fire	—	A	A	A	A
Filled Weight Range*	KG	Approx 9.60	9.50 to 10.10	14.15 to 14.85	Approx. 13.40
Packed Weight Range (approx)**	KG	9.2	10.2	14.72	14.72
Packed Size Length x Width x Height	MM	175 x 175 x 585	175 x 175 x 585	230 x 220 x 670	230 x 220 x 670
Product Warranty	—	5	5	5	5

*It includes Empty Extinguisher, Contents, Plastic Base, Hose / Horn and bracket.

**It includes Empty Extinguisher, Contents, Packaging, Plastic Base, Hose / Horn and bracket.

CERTIFICATIONS



PRODUCT PICTURES



*v2' Published Date is 27-04-2026.

**Regular R&D and product improvisations may lead to change in product specifications in this data sheet, without any prior notice.