

## CO<sub>2</sub> BASED WHEELED EXTINGUISHER

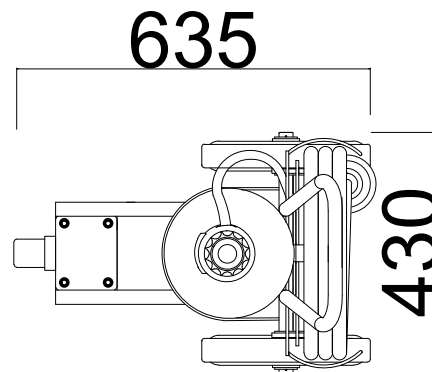
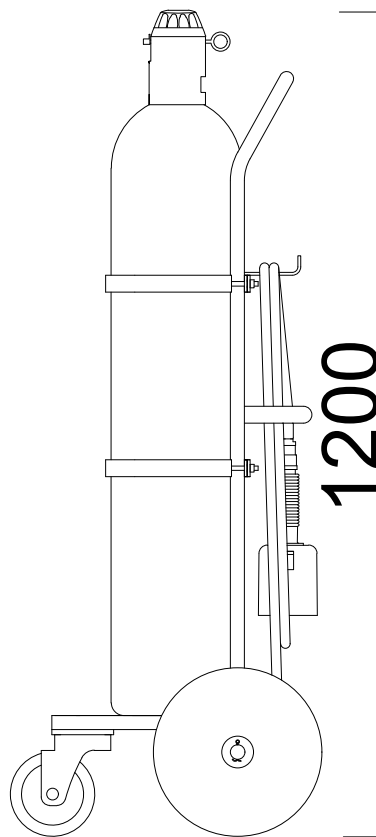
### PRODUCT OVERVIEW

Ceasefire's wheeled CO<sub>2</sub> extinguishers are very effective in putting out large fires. Being sturdier and lighter, these extinguishers save the time involved in carrying the extinguisher to the fire. Packed with tremendous power, these CO<sub>2</sub> extinguishers reduce the oxygen supply, bringing the temperature down drastically, and stopping the fire in seconds.

The extinguisher's revolutionary new ball and wheel activation mechanism also removes all risk of freeze burn and ensures that you can rapidly put the extinguisher to use against a fire.



### ENGINEERING DRAWINGS



20KG MS SP Red (Trolley Mounted) CO<sub>2</sub>  
Product Code CF-000740.



## TECHNICAL SPECIFICATIONS

<b>Product Code</b>	UOM	<b>CF-000740</b>
<b>Description</b>	—	Fire Ext CO <sub>2</sub> 20KG MS Wheel Type SP Red
<b>Capacity of Agent</b>	KG	20-5%
<b>Certification</b>	—	EN1866 - LPCB PED UKCA-PED
<b>Diameter of Shell</b>	MM	232
<b>Total Height (approx.)</b>	MM	1360
<b>MOC of Shell</b>	—	37Mn / 34CrMo4
<b>Mini. Wall Thickness</b>	MM	5.4
<b>Test Pressure</b>	BAR	250
<b>Anti-Corrosive Treatment</b>	—	Outer surfaces are EP Powder coated having Thickness 50 Micron Min. RAL Shade 3000
<b>Service Pressure</b>	BAR	70
<b>Type of Operating Mechanism</b>	—	Wheel type
<b>Type of Pressure Gauge</b>	—	Magnetic Bourdon Tube Type
<b>Type of Dis. Fitting &amp; Length</b>	MM	EPDM Rubber Braided Hose Pipe with nozzle Length of Hose 5000mm (Min.)
<b>Throw</b>	Meter	5
<b>Min. Discharge Time</b>	Sec.	18
<b>Fire Rating</b>	—	113 B
<b>Operating Temperature Range</b>	°C	-30°C to +60°C
<b>Applicable to Type of Fire</b>	—	Class B & Electrical Started Fire
<b>Filled Weight Range*</b>	KG	Approx. 81.0
<b>Packed Weight Range (approx)**</b>	KG	89
<b>Packed Size Length x Width x Height</b>	MM	450 x 580 x 1420
<b>Product Warranty</b>	YEAR	5

\*It includes Empty Extinguisher, Contents, Hose / Nozzle and trolley.

\*\*It includes Empty Extinguisher, Packaging, Contents, Hose / Nozzle and trolley.

## CERTIFICATIONS



## PRODUCT PICTURES



20 KG

\*v2' Published Date is 27-04-2026.

\*\*Regular R&D and product improvisations may lead to change in product specifications in this data sheet, without any prior notice.

**CEASEFIRE INDUSTRIES UK LIMITED**

Call us at: 0-113-868-6666, 0-126-891-9999

[www.ceasefire.co.uk](http://www.ceasefire.co.uk)