

# QUAD WHEELED WATERMIST-FOAMMIST BASED SYSTEMS

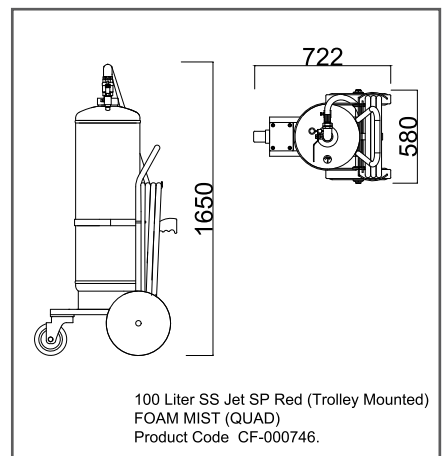
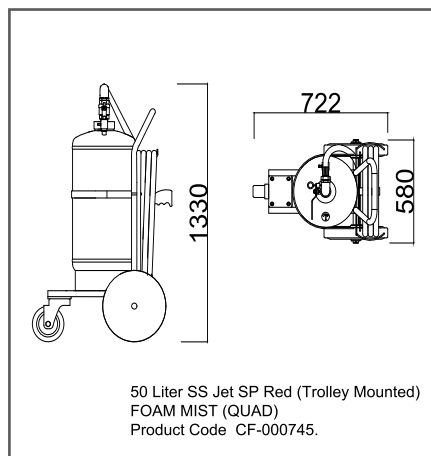
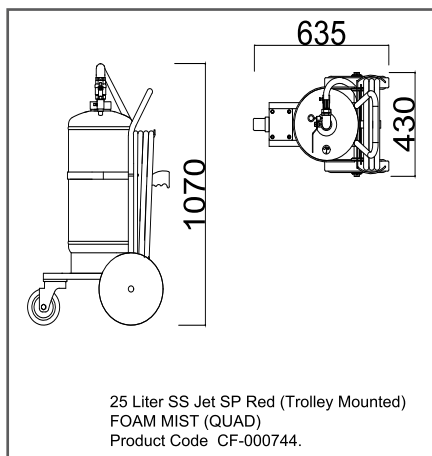
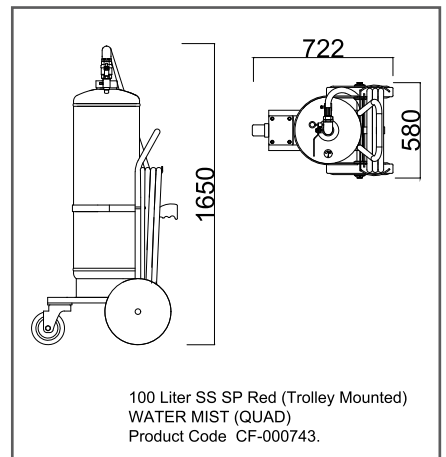
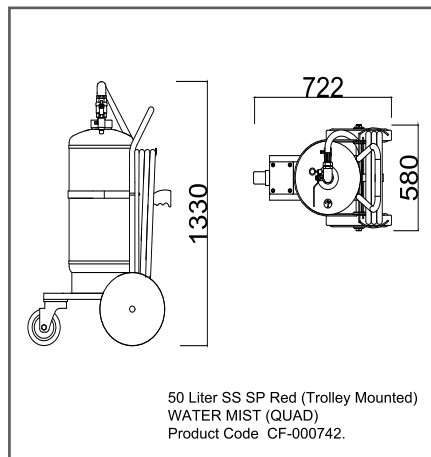
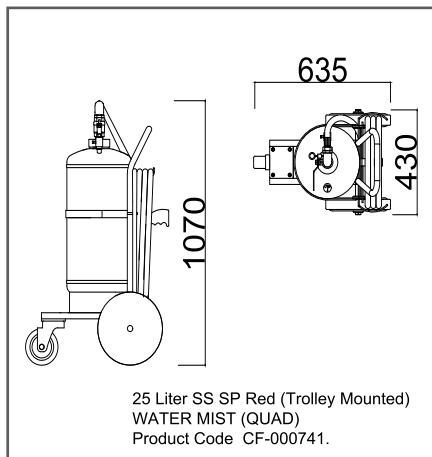
## PRODUCT OVERVIEW

Portable powder-based extinguishers on the premises can fight the flames if the fire is detected early, but have little capacity to fight the fire in a long battle or a big fire. Collateral damage by these extinguishers is another unavoidable outcome. Hydrant systems on the other hand, cause collateral damage, increases the risk of electrocution and are impossible to take to the scene of the fire.

The need of the hour is for a portable system with humongous firefighting power that doesn't cause any further damage. A power-packed Watermist or Watermist +Foam-based system that takes firefighting up a few notches. Approximately 400 times.



## ENGINEERING DRAWINGS



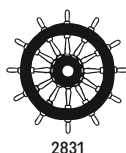


Product Code	UOM	CF-000741	CF-000742	CF-000743	CF-000744	CF-000745	CF-000746
<b>Type of Dis. Fitting &amp; Length</b>	MM	EPDM Rubber Braided Hose Pipe with nozzle Length of Hose 5000mm (Min.)	EPDM Rubber Braided Hose Pipe with nozzle Length of Hose 5000mm (Min.)	EPDM Rubber Braided Hose Pipe with nozzle Length of Hose 5000mm (Min.)	EPDM Rubber Braided Hose Pipe with nozzle Length of Hose 5000mm (Min.)	EPDM Rubber Braided Hose Pipe with nozzle Length of Hose 5000mm (Min.)	EPDM Rubber Braided Hose Pipe with nozzle Length of Hose 5000mm (Min.)
<b>Average Discharge Duration as per - EN 1866 Clause 8.2.2</b>	METER	4	4	4	10	10	10
<b>Throw up to (approx.)</b>	SEC.	20	40	80	20	40	80
<b>Fire Rating</b>	—	A	A	A	A   IVB	A   IVB	A   IVB
<b>Operating Temperature Range</b>	°C	5°C to +55°C	5°C to +55°C	5°C to +55°C	5°C to +55°C	5°C to +55°C	5°C to +55°C
<b>Applicable to Type of Fire</b>	—	Class A Fire	Class A	Class A	Class A and B	Class A and B	Class A and B
<b>Filled Weight Range*</b>	KG	Approx. 65	Approx. 106.80	Approx. 166.20	Approx. 66.50	Approx. 107.50	Approx. 166.70
<b>Packed Weight Range (approx)**</b>	KG	74.75	122.82	191.13	76.48	123.63	191.71
<b>Packed Size Length x Width x Height</b>	MM	670 x 500 x 1100	700 x 600 x 1320	790 x 650 x 1650	670 x 500 x 1100	700 x 600 x 1320	790 x 650 x 1650
<b>Product Warranty</b>	YEAR	5	5	5	5	5	5

\*It includes Empty Extinguisher, Contents, Hose / Nozzle and trolley.

\*\*It includes Empty Extinguisher, Packaging, Contents, Hose / Nozzle and trolley.

## CERTIFICATIONS



PRODUCT PICTURES



25 L



50 L

100 L

\*v3' Published Date is 27-04-2026.

\*\*Regular R&D and product improvisations may lead to change in product specifications in this data sheet, without any prior notice.