

ACTION PAC - BASED EXTINGUISHERS

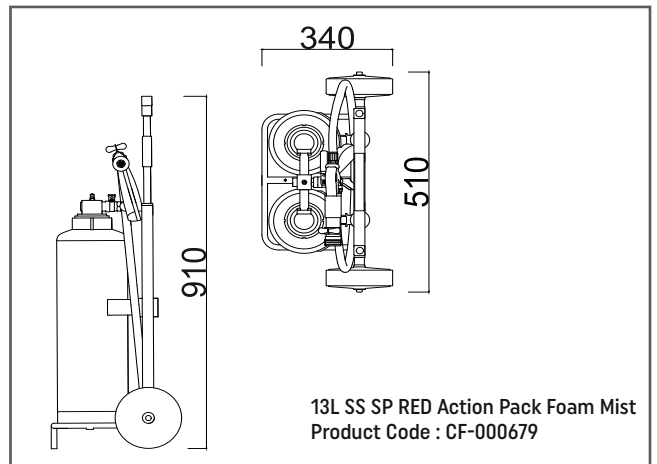
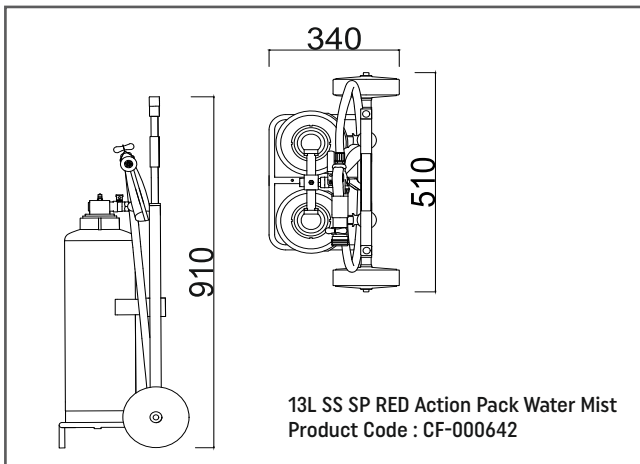
PRODUCT OVERVIEW

Ceasefire Action-Pac, the first of its kind Watermist powered extinguisher that can be used both as a backpack extinguisher as well as trolley mounted extinguisher. Packed with immense firefighting power, it can be easily carried to the scene of the fire to battle the flames. While other extinguishers use chemicals to put out fires that completely ruin your equipment, Ceasefire Action-Pac has been specially designed to cause no damage.



The USP of this fire extinguisher is that it uses Watermist, which causes no collateral damage, ensuring that business operations are up and running at the earliest. The Ceasefire Action-Pac fights fires with a lightweight dual-mode that can be easily switched using a lever. The Jet Mode of the gun enables the firefighter to deliver large quantities of the extinguishing agent into the fire zone from a distance to subdue the fire. The Spray Mode offers extensive coverage and protection against radiant heat when the firefighter approaches near the fire zone. The Action-Pac is available in two variants: Pure Mist and Foam. The extinguisher ensures zero risk of thermal shock or recoil while using, and is safe to be used on any fire, including electric. Fitted with two 6 litre stored low-pressure containers, the Action-Pac is always ready to come to the rescue.

ENGINEERING DRAWINGS





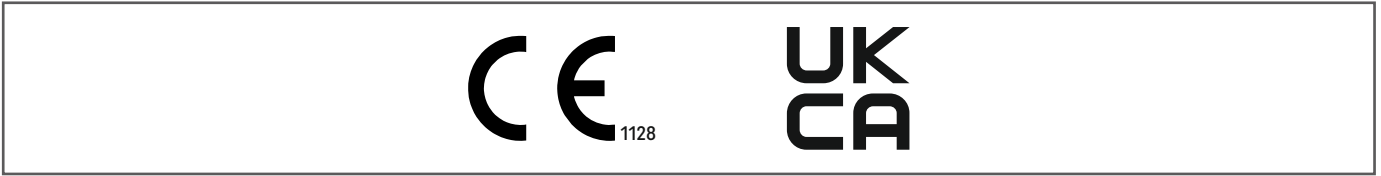
TECHNICAL SPECIFICATIONS

Product Code	UOM	CF-000642	CF-000679
Description	—	Fire Ext. Action Pack Water Mist 13L SS SP Red	Fire Ext. Action Pack Foam Mist 13L SS SP Red
Capacity of Agent	L	13-5%	13-5%
Certification	—	PED UKCA	PED UKCA
Diameter of Shell	MM	175	175
Total Height (approx.)	MM	745	745
MOC of Shell	—	SS 304 (1.4301)	SS 304 (1.4301)
Min. Wall Thickness	MM	1.5	1.5
Test Pressure	BAR	35	35
Anti-Corrosive Treatment	—	Outer surfaces are EP Powder coated having Thickness 50 Micron Min. RAL Shade 3000	Outer surfaces are EP Powder coated having Thickness 50 Micron Min. RAL Shade 3000
Service Pressure	BAR	15	15
Type of Operating Mechanism	—	Squeeze Grip with NRV and Burst Disc.	Squeeze Grip with NRV and Burst Disc.
Type of Pressure Gauge	—	Magnetic Bourdon Tube Type	Magnetic Bourdon Tube Type
Type of Dis. Fitting & Length	MM	EPDM Rubber Braided Hose Pipe with dual mode Length of Hose 1400 mm (Min.)	EPDM Rubber Braided Hose Pipe with dual mode Length of Hose 1400 mm (Min.)
Throw	Meter	Jet - 6 Spray - 3	Jet - 6 Spray - 3
Min. Discharge Time	Sec.	41	15
Fire Rating	—	27A	43A IVB
Operating Temperature Range	°C	From +5°C to +60°C	From +5°C to +60°C
Applicable to Type of Fire	—	A & Electrical Started Fire	A, B & Electrical Started Fire
Filled Weight Range*	KG	37.15 to 37.80	37.15 to 37.80
Packed Weight Range (approx)**	KG	39.4	39.4
Packed Size Length xWidth x Height	MM	565 x 365 x 855	565 x 365 x 855
Product Warranty	YEAR	1	1

*It includes Empty Extinguisher, Contents, Hose / Gun and trolley.

**It includes Empty Extinguisher, Packaging, Contents, Hose / Gun and trolley.

CERTIFICATIONS



PRODUCT PICTURES



13L



13L

*v1' Published Date is 30-05-2026.

**Regular R&D and product improvisations may lead to change in product specifications in this data sheet, without any prior notice.