

ABC POWDER WHEELED EXTINGUISHERS (MAP 50)

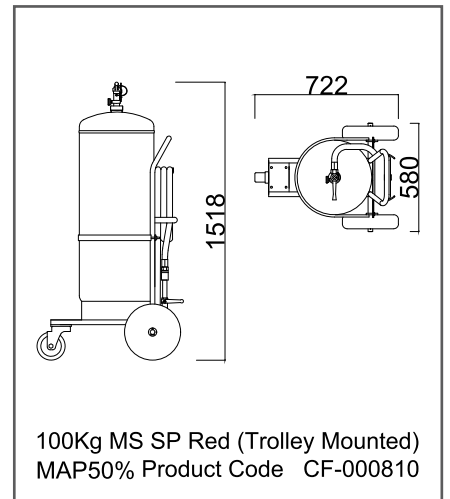
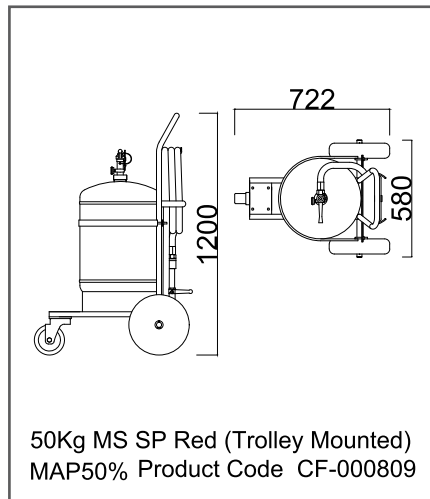
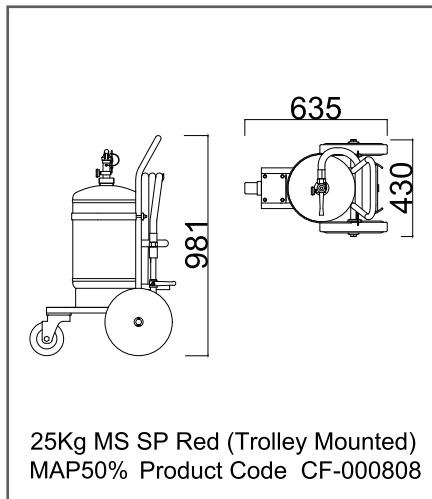
PRODUCT OVERVIEW

Fire is a very potent enemy, and when it strikes, it doesn't give much time to gather a reaction. It can prove dangerous if it goes undetected. Therefore, it is imperative to keep a portable fire extinguisher handy.

Ceasefire's ABC extinguishers are built for speed, power, and reliability when it comes to fighting Class A, B, C and electrically started fires. A simple two-step activation mechanism allows you to fight the fire within seconds. The very best Mono Ammonium Phosphate maximises the firefighting power available to you. And stringent quality control and multiple point testing systems ensure that these extinguishers will deliver.



ENGINEERING DRAWINGS





TECHNICAL SPECIFICATIONS

Product Code	UOM	CF-000808	CF-000809	CF-000810
Description	—	Fire Ext MAP 50 25Kg MS SP Red	Fire Ext MAP 50 50Kg MS SP Red	Fire Ext MAP 50 100Kg MS SP Red
Capacity of Agent	KG	25 ± 2%	50 ± 2%	100 ± 2%
Certification	—	BS EN1866 - LPCB BS EN1866 - KITEMARK EU-MED UKCA-MER PED UKCA-PED	BS EN1866 - LPCB BS EN1866 - KITEMARK EU-MED UKCA-MER PED UKCA-PED	BS EN1866 - LPCB BS EN1866 - KITEMARK EU-MED UKCA-MER PED UKCA-PED
Diameter of Shell	MM	300	400	400
Total Height (approx.)	MM	990	1200	1495
MOC of Shell	—	Steel CR2(DC01)	Steel HR3(DD13)	Steel HR3(DD13)
Min. Wall Thickness	MM	3.0	3.5	3.5
Test Pressure	BAR	30	30	30
Anti-Corrosive Treatment	—	Outer surfaces are EP Powder coated having Thickness 50 Micron Min. RAL Shade 3000	Outer surfaces are EP Powder coated having Thickness 50 Micron Min. RAL Shade 3000	Outer surfaces are EP Powder coated having Thickness 50 Micron Min. RAL Shade 3000
Service Pressure	BAR	15	15	15
Type of Operating Mechanism	—	Operating Lever (Ball Valve)	Operating Lever (Ball Valve)	Operating Lever (Ball valve)
Type of Pressure Gauge	—	Magnetic Bourdon Tube Type	Magnetic Bourdon Tube Type	Magnetic Bourdon Tube Type
Type of Dis. Fitting & Length	MM	EPDM Rubber Braided Hose Pipe with nozzle Length of Hose 5000mm (Min.)	EPDM Rubber Braided Hose Pipe with nozzle Length of Hose 5000mm (Min.)	EPDM Rubber Braided Hose Pipe with nozzle Length of Hose 5000mm (Min.)
Throw up to (approx.)	Meter	6	8	10
Average Discharge Duration as per - EN 1866 Clause 8.2.2	Sec.	15	30	60
Fire Rating	—	A IVB	A IVB	A IVB
Operating Temperature Range	°C	-30°C to +60°C	-30°C to +60°C	-30°C to +60°C

Product Code	UOM	CF-000808	CF-000809	CF-000810
Fire Rating	—	A IVB	A IVB	A IVB
Operating Temperature Range	°C	-30°C to +60°C	-30°C to +60°C	-30°C to +60°C
Applicable to Type of Fire	—	A, B, C ,& Electrical Started Fire	A, B, C ,& Electrical Started Fire	A, B, C ,& Electrical Started Fire
Filled Weight Range*	KG	62 to 64	110 to 113	Approx. 178.5
Packed Weight Range (approx)**	KG	71	122	205
Packed Size Length x Width x Height	MM	470 x 670 x 1020	690 x 705 x 1210	900 x 900 x 1500
Product Warranty	YEAR	5	5	5

*It includes Empty Extinguisher, Contents, Hose / Nozzle and trolley.

**It includes Empty Extinguisher, Packaging, Contents, Hose / Nozzle and trolley.

CERTIFICATIONS



PRODUCT PICTURES



100 KG

50 KG

25 KG

*v2' Published Date is 27-04-2026.

**Regular R&D and product improvisations may lead to change in product specifications in this data sheet, without any prior notice.

CEASEFIRE INDUSTRIES UK LIMITED

Call us at: 0-113-868-6666, 0-126-891-9999

www.ceasefire.co.uk