

WET CHEMICAL-BASED PORTABLE EXTINGUISHERS

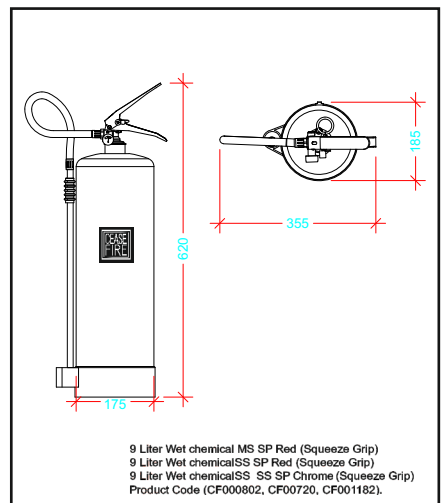
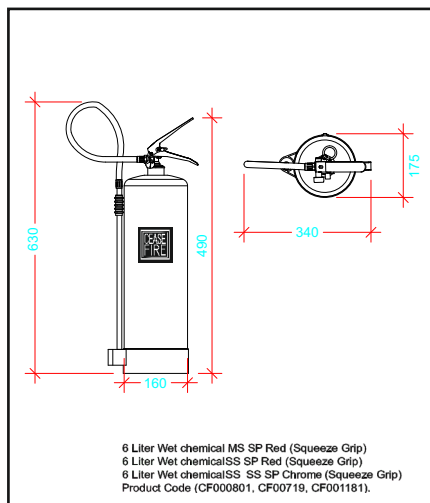
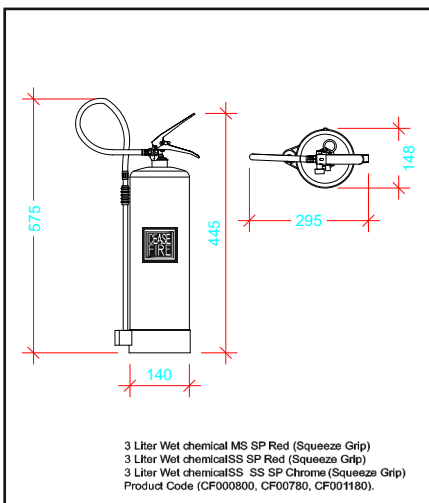
PRODUCT OVERVIEW

There is no denying the fact that fire is central to cooking. Every day, restaurants, cafes, bakeries, and commercial kitchens use it to create a myriad of delicacies. However, the liberal use of fire and the presence of combustible substances like oil make it a vulnerable spot for accidents to flare up.

Ceasefire’s Wet Chemical-based Fire Extinguishers are designed especially to fight oil and fat fires in kitchens. The extinguishing chemical is a foaming agent that fights Class A, B, and F fires. It is also environmentally friendly as it’s more than 99% biodegradable! When launched at a fire, the wet chemical extinguishing agent has a blanketing effect on the flames, cutting down the supply of oxygen and cooling the oil below the self-ignition point. Being a de-greasing substance, the extinguishing agent ensures that the kitchen can be cleaned easily post-fire.



ENGINEERING DRAWINGS





TECHNICAL SPECIFICATIONS

Product Code	UOM	CF-000800	CF-000801	CF-000802	CF-001180	CF-000780
Description	—	Fire Ext Wet Chemical 3L MS SP Red	Fire Ext Wet Chemical 6L MS SP Red	Fire Ext Wet Chemical 9L MS SP Red	Fire Ext Wet Chemical 3L SS SP Chrome	Fire Ext Wet Chemical 3L SS SP Red
Capacity of Agent	L	3-5%	6-5%	9-5%	3-5%	3-5%
Certification	—	BS EN3 - LPCB BS EN3 - KITEMARK EU-MED UKCA-MER PED UKCA-PED	BS EN3 - LPCB BS EN3 - KITEMARK EU-MED UKCA-MER PED UKCA-PED	BS EN3 - LPCB BS EN3 - KITEMARK EU-MED UKCA-MER PED UKCA-PED	BS EN3-LPCB PED UKCA-PED	BS EN3 - LPCB BS EN3 - KITEMARK EU-MED UKCA-MER PED UKCA-PED
Diameter of Shell	MM	140	160	175	140	140
Total Height (approx.)		435	520	615	435	435
MOC of Shell	—	Steel Cr2 (DC01)	Steel CR2 (DC01)	Steel Cr2 (DC01)	SS 304 (1.4301)	Steel Cr2 (DC01)
Mini. Wall Thickness	MM	1.2	1.6	2.0	1.5	1.5
Test Pressure	BAR	35	35	35	35	35
Anti-Corrosive Treatment	—	Outer surfaces were EP Powder coated having Thickness 50 Micron Min. RAL Shade 3000	Outer surfaces were EP Powder coated having Thickness 50 Micron Min. RAL Shade 3000	Outer surfaces were EP Powder coated having Thickness 50 Micron Min. RAL Shade 3000	Outer surfaces were EP Powder coated having Thickness 50 Micron Min. RAL Shade 3000	Outer surfaces were EP Powder coated having Thickness 50 Micron Min. RAL Shade 3000
Service Pressure	BAR	15	15	15	15	15
Type of Operating Mechanism	—	Squeeze Grip with NRV and Burst Disc.	Squeeze Grip with NRV and Burst Disc.	Squeeze Grip with NRV and Burst Disc.	Squeeze Grip with NRV and Burst Disc.	Squeeze Grip with NRV and Burst Disc.
Type of Pressure Gauge	—	Magnetic Bourdon Tube Type	Magnetic Bourdon Tube Type	Magnetic Bourdon Tube Type	Magnetic Bourdon Tube Type	Magnetic Bourdon Tube Type
Type of Dis. Fitting & Length	MM	EPDM Rubber Braided Hose Pipe with nozzle Length of Hose 300mm (Min.)	EPDM Rubber Braided Hose Pipe with nozzle Length of Hose 400mm (Min.)	EPDM Rubber Braided Hose Pipe with nozzle Length of Hose 400mm (Min.)	EPDM Rubber Braided Hose Pipe with nozzle Length of Hose 300mm (Min.)	EPDM Rubber Braided Hose Pipe with nozzle Length of Hose 300mm (Min.)
Throw up to (approx.)	METER	3	3	3	3	3

Product Code	UOM	CF-000800	CF-000801	CF-000802	CF-001180	CF-000780
Average Discharge Duration as per BS EN 3-7:2004 +A1:2007, clause 7.1.2	SEC.	9	9	9	9	9
Fire Rating	—	8A 40F	13A 75F	21A 75F	8A 40F	8A 40F
Operating Temperature Range	°C	From +5°C to +60°C	From +5°C to +60°C	From +5°C to +60°C	From +5°C to +60°C	From +5°C to +60°C
Applicable to Type of Fire	—	A, F & Electrical Started Fire	A, F & Electrical Started Fire	A, F & Electrical Started Fire	A, F & Electrical Started Fire	A, F & Electrical Started Fire
Filled Weight Range*	KG	Approx. 6.30	Approx. 11.60	Approx. 16.90	Approx. 7.10	Approx. 7.10
Packed Weight Range (approx)**	KG	7.8	12.6	18.6	7.8	7.8
Packed Size Length x Width x Height	MM	175 x 175 x 515	175 x 175 x 585	190 x 195 x 650	175 x 175 x 515	175 x 175 x 515
Product Warranty	YEAR	5	5	5	5	5

*It includes Empty Extinguisher, Contents, Plastic Base, Hose / Horn and bracket.

**It includes Empty Extinguisher, Packaging, Contents, Plastic Base, Hose / Horn and bracket.





TECHNICAL SPECIFICATIONS

Product Code	UOM	CF-001181	CF-000719	CF-001182	CF-000720
Description	—	Fire Ext Wet Chemical 6L SS SP Chrome	Fire Ext Wet Chemical 6L SS SP Red	Fire Ext Wet Chemical 9L SS SP Chrome	Fire Ext Wet Chemical 9L SS SP Red
Capacity of Agent	L	6-5%	6-5%	9-5%	9-5%
Certification	—	BS EN3-LPCB PED UKCA-PED	BS EN3 - LPCB BS EN3 - KITEMARK EU-MED UKCA-MER PED UKCA-PED	BS EN3-LPCB PED UKCA-PED	BS EN3 - LPCB BS EN3 - KITEMARK EU-MED UKCA-MER PED UKCA-PED
Diameter of Shell	MM	160	160	175	175
Total Height (approx.)	MM	520	520	610	610
MOC of Shell	—	SS 304 (1.4301)	SS 304 (1.4301)	SS 304 (1.4301)	SS 304 (1.4301)
Mini. Wall Thickness	MM	1.5	1.5	1.5	1.5
Test Pressure	BAR	35	35	35	35
Anti-Corrosive Treatment	—	Outer surfaces were EP Powder coated having Thickness 50 Micron Min. RAL Shade 3000	Outer surfaces were EP Powder coated having Thickness 50 Micron Min. RAL Shade 3000	Outer surfaces were EP Powder coated having Thickness 50 Micron Min. RAL Shade 3000	Outer surfaces were EP Powder coated having Thickness 50 Micron Min. RAL Shade 3000
Service Pressure	BAR	15	15	15	15
Type of Operating Mechanism	—	Squeeze Grip with NRV and Burst Disc.	Squeeze Grip with NRV and Burst Disc.	Squeeze Grip with NRV and Burst Disc.	Squeeze Grip with NRV and Burst Disc.
Type of Pressure Gauge	—	Magnetic Bourdon Tube Type	Magnetic Bourdon Tube Type	Magnetic Bourdon Tube Type	Magnetic Bourdon Tube Type



Product Code	UOM	CF-001181	CF-000719	CF-001182	CF-000720
Type of Dis. Fitting & Length	MM	EPDM Rubber Braided Hose Pipe with nozzle Length of Hose 400mm (Min.)	EPDM Rubber Braided Hose Pipe with nozzle Length of Hose 400mm (Min.)	EPDM Rubber Braided Hose Pipe with nozzle Length of Hose 400mm (Min.)	EPDM Rubber Braided Hose Pipe with nozzle Length of Hose 400mm (Min.)
Throw up to (approx.)	METER	3	3	3	3
Average Discharge Duration as per BS EN 3-7:2004+A1:2007, clause 7.1.2	SEC.	9	9	9	9
Fire Rating	—	13A 75F	13A 75F	21A 75F	21A 75F
Operating Temperature Range	°C	From +5°C to +60°C	From +5°C to +60°C	From +5°C to +60°C	From +5°C to +60°C
Applicable to Type of Fire	—	A, F & Electrical Started Fire	A, F & Electrical Started Fire	A, F & Electrical Started Fire	A, F & Electrical Started Fire
Filled Weight Range*	KG	Approx. 12.30	Approx. 12.30	Approx. 16.50	Approx. 17.40
Packed Weight Range (approx)**	KG	12.94	12.94	18.6	18.6
Packed Size Length x Width x Height	MM	175 x 175 x 585	175 x 175 x 585	190 x 195 x 650	190 x 195 x 650
Product Warranty	YEAR	5	5	5	5

*It includes Empty Extinguisher, Contents, Plastic Base, Hose / Horn and bracket.

**It includes Empty Extinguisher, Packaging, Contents, Plastic Base, Hose / Horn and bracket.

CERTIFICATIONS



PRODUCT PICTURES



3 L

6 L

9 L

*v3' Published Date is 27-04-2026.

**Regular R&D and product improvisations may lead to change in product specifications in this data sheet, without any prior notice.

CEASEFIRE INDUSTRIES UK LIMITED

Call us at: 0-113-868-6666, 0-126-891-9999

www.ceasefire.co.uk