

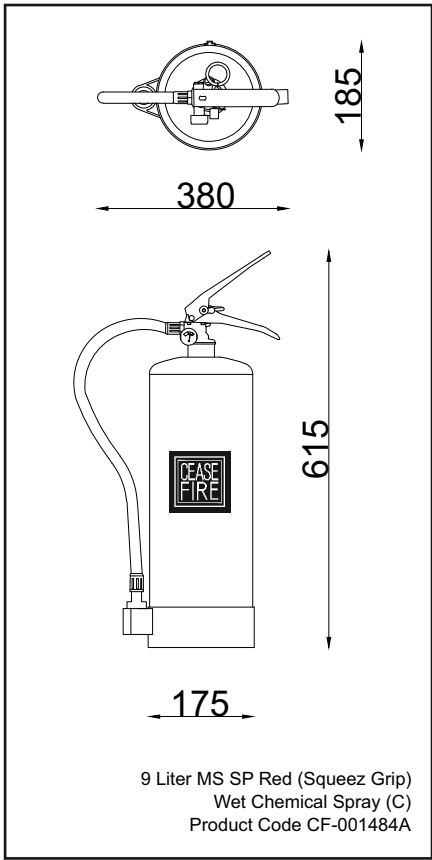
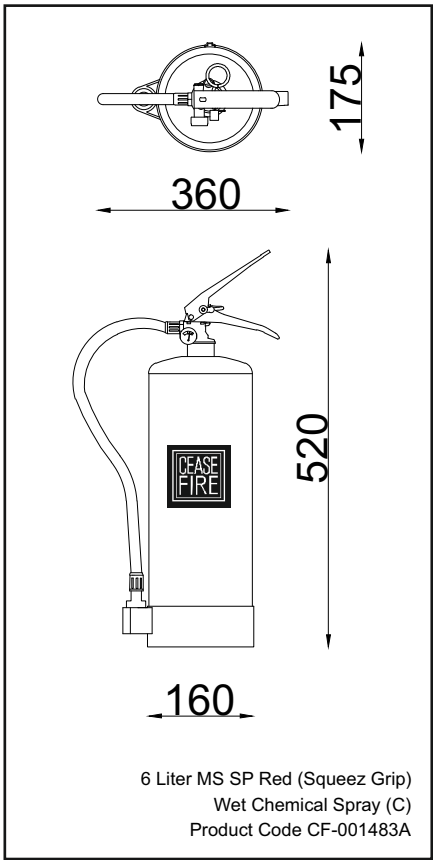
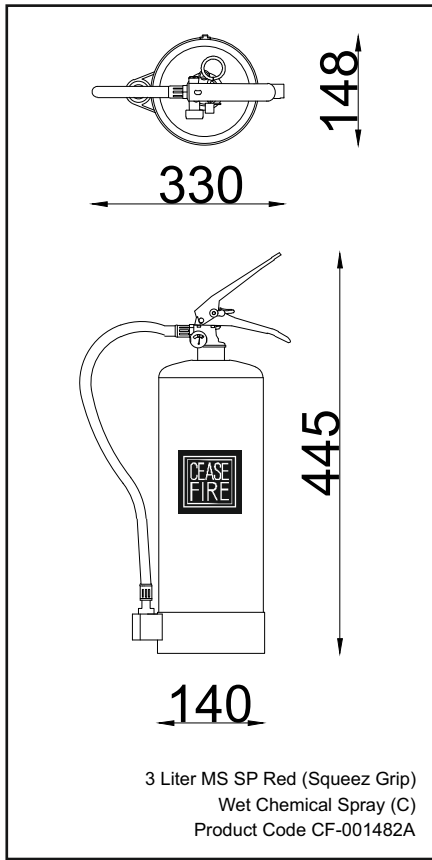
WET CHEMICAL-BASED PORTABLE EXTINGUISHERS (SPRAY MODEL)

PRODUCT OVERVIEW

Ceasefire’s Wet Chemical Spray Extinguishers are a versatile and eco-friendly fire safety solution ideal for high-risk environments like commercial kitchens. Featuring a biodegradable foaming agent, these extinguishers blanket flames, cut off oxygen, cool oil below its self-ignition point, and reduce re-ignition risks. They are effective on Class A, F, and Electrically started fires, and are also suitable for use on live electrical equipment up to 1000 V from a distance of 1 meter. Easy to use and reliable, Ceasefire’s extinguishers offer rapid suppression across diverse fire scenarios, making them a crucial addition to any fire safety strategy.



ENGINEERING DRAWINGS





TECHNICAL SPECIFICATIONS

Product Code	UOM	CF-001482A	CF-001483A	CF-001484A
Description	—	Fire Ext Wet Chemical 3L MS SP Red (Spray model) (C)	Fire Ext Wet Chemical 6L MS SP Red (Spray model) (C)	Fire Ext Wet Chemical 9L MS SP Red (Spray model) (C)
Capacity of Agent	L	3-5%	6-5%	9-5%
Certification	—	BS EN3 - LPCB BS EN3 - KITEMARK EU-MED UKCA-MER PED UKCA-PED	BS EN3 - LPCB BS EN3 - KITEMARK EU-MED UKCA-MER PED UKCA-PED	BS EN3 - LPCB BS EN3 - KITEMARK EU-MED UKCA-MER PED UKCA-PED
Diameter of Shell	mm	140	160	175
Total Height (approx.)	mm	440	520	615
MOC of Shell	—	Steel CR2(DC01)	Steel CR2(DC01)	Steel CR2(DC01)
Min. Wall Thickness	mm	1.6	1.6	2
Test Pressure	Bar	35	35	35
Anti-Corrosive Treatment	—	Outer & Inner surfaces Epoxy Polymer Powder coated having Thickness 50 Micron Min. Cylinder Colour RAL Shade 3000	Outer & Inner surfaces Epoxy Polymer Powder coated having Thickness 50 Micron Min. Cylinder Colour RAL Shade 3000	Outer & Inner surfaces Epoxy Polymer Powder coated having Thickness 50 Micron Min. Cylinder Colour RAL Shade 3000
Service Pressure	Bar	15	15	15
Type of Operating Mechanism	—	Squeeze Grip with NRV and PRV	Squeeze Grip with NRV and PRV	Squeeze Grip with NRV and PRV
Type of Pressure Gauge	—	Magnet Sensitive Bourdon Tube Type	Magnet Sensitive Bourdon Tube Type	Magnet Sensitive Bourdon Tube Type



Product Code	UOM	CF-001482A	CF-001483A	CF-001484A
Type of Dis. Fitting & Length	mm	EPDM Rubber Braided Hose Pipe with nozzle Length of Hose 300mm (Min.)	EPDM Rubber Braided Hose Pipe with nozzle Length of Hose 500mm (Min.)	EPDM Rubber Braided Hose Pipe with nozzle Length of Hose 500mm (Min.)
Recommended Distance Of Operation From Fire	meter	2	2	2
Min. Discharge Time	sec	>9	>9	>9
Fire Rating	—	8A 40F	13A 75F	21A 75F
Operating Temperature Range	°C	From +5°C to +60°C	From +5°C to +60°C	From +5°C to +60°C
Applicable to Type of Fire	—	A, F & Electrical Started Fire	A, F & Electrical Started Fire	A, F & Electrical Started Fire
Filled Weight Range (approx.)*	Kg	6.60	11.60	16.70
Packed Weight Range (approx.)**	Kg	7.40	12.60	17.85
Packed Size Length x Width x Height	mm	160 x 160 x 470	230 x 220 x 670	190 x 195 x 650
Product Warranty	Year	5	5	5

**It includes Empty Extinguisher, Contents, Plastic Base, Hose / Horn and bracket.

***It includes Empty Extinguisher, Contents, Packaging, Plastic Base, Hose / Horn and bracket.

CERTIFICATIONS



PRODUCT PICTURES



3 L

6 L

9 L

*v3' Published Date is 27-04-2026.

**Regular R&D and product improvisations may lead to change in product specifications in this data sheet, without any prior notice.

CEASEFIRE INDUSTRIES UK LIMITED

Call us at: 0-113-868-6666, 0-126-891-9999

www.ceasefire.co.uk