

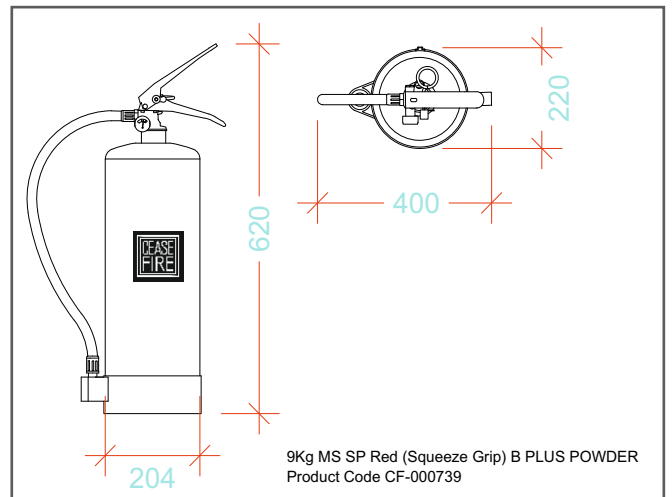
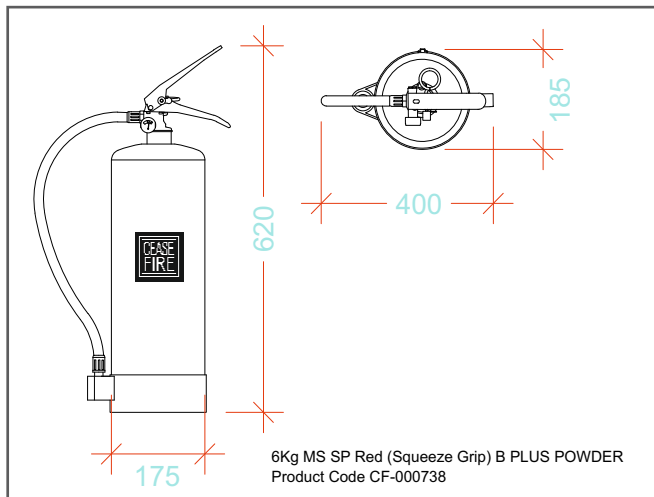
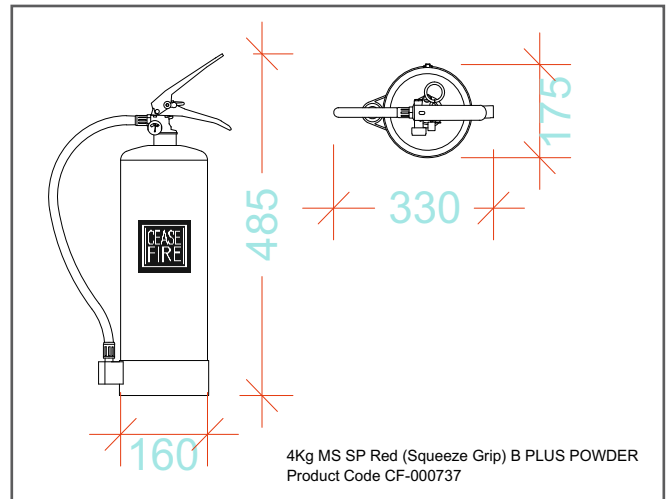
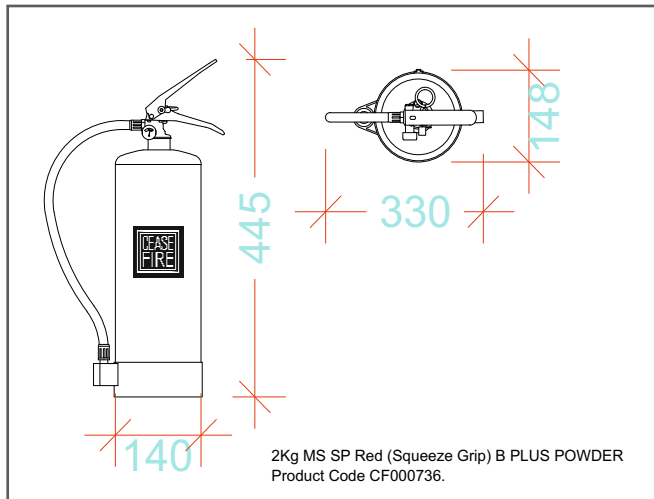
B+ POWDER - BASED PORTABLE EXTINGUISHERS

PRODUCT OVERVIEW

B Plus is so potent, it packs in all the force of a 16 kg extinguisher into a 4kg extinguisher. That's 4 times the power! And makes it the perfect extinguisher for petrol pumps and petrol chemical units. B Plus is ideal for Class B & C fires, involving petrol, alcohol, industrial chemicals and more. The reason for this is its unique powder, which explodes into minute particles at high temperatures, covering a huge surface area.



ENGINEERING DRAWINGS





TECHNICAL SPECIFICATIONS

Product Code	UOM	CF-000736	CF-000737	CF-000738	CF-000739
Description	—	Fire Ext B+ 2Kg MS SP Red	Fire Ext B+ 4Kg MS SP Red	Fire Ext B+ 6Kg MS SP Red	Fire Ext B+ 9Kg MS SP Red
Capacity of Agent	KG	2 ± 3%	4 ± 2%	6 ± 2%	9 ± 2%
Certification	—	EN3 - LPCB EN3 - KITEMARK PED UKCA	EN3 - LPCB EN3 - KITEMARK PED UKCA	EN3 - LPCB EN3 - KITEMARK EU-MED UKCA-MER PED UKCA	BS EN3 - LPCB BS EN3 - KITEMARK EU-MED UKCA-MER PED UKCA
Diameter of Shell	MM	140	160	175	204
Total Height (approx.)	MM	440	485	615	615
MOC of Shell	—	Steel CR2 (DC01)	Steel CR2 (DC01)	Steel CR2 (DC01)	Steel CR2 (DC01)
Min. Wall Thickness	MM	1.2	1.4	1.4	1.6
Test Pressure	BAR	35	35	35	35
Anti-Corrosive Treatment	—	Outer surfaces were EP Powder coated having Thickness 50 Micron Min. RAL Shade 3000	Outer surfaces were EP Powder coated having Thickness 50 Micron Min. RAL Shade 3000	Outer surfaces were EP Powder coated having Thickness 50 Micron Min. RAL Shade 3000	Outer surfaces were EP Powder coated having Thickness 50 Micron Min. RAL Shade 3000
Service Pressure	BAR	15	15	15	15
Type of Operating Mechanism	—	Squeeze Grip with NRV and Burst Disc.	Squeeze Grip with NRV and Burst Disc.	Squeeze Grip with NRV and Burst Disc.	Squeeze Grip with NRV and Burst Disc.
Type of Pressure Gauge	—	Magnetic Bourdon Tube Type	Magnetic Bourdon Tube Type	Magnetic Bourdon Tube Type	Magnetic Bourdon Tube Type



Product Code	UOM	CF-000736	CF-000737	CF-000738	CF-000739
Type of Dis. Fitting & Length	MM	EPDM Rubber Braided Hose Pipe with nozzle Length of Hose 400 mm (Min.)	EPDM Rubber Braided Hose Pipe with nozzle Length of Hose 400 mm (Min.)	EPDM Rubber Braided Hose Pipe with nozzle Length of Hose 650 mm (Min.)	EPDM Rubber Braided Hose Pipe with nozzle Length of Hose 700 mm (Min.)
Throw up to (approx.)	METER	4	6	7	7
Average Discharge Duration as per EN 3-7:2004+A1:2007, clause 71.2	SEC.	13	15	19	24
Fire Rating	—	89B	233B	233B	233B
Operating Temperature Range	°C	From -30°C to + 60°C	From -30°C to + 60°C	From -30°C to + 60°C	From -30°C to + 60°C
Applicable to Type of Fire	—	B, C & Electrical Started Fire	B, C & Electrical Started Fire	B, C & Electrical Started Fire	B, C & Electrical Started Fire
Filled Weight Range*	KG	4.20 to 4.40	7.20 to 7.40	10.20 to 10.40	14.10 to 14.50
Packed Weight Range (approx)**	KG	5.45	8.1	12.5	16.95
Packed Size Length x Width x Height	MM	160 x 160 x 470	175 x 175 x 715	190 x 195 x 650	215 x 215 x 715
Product Warranty	—	1	1	1	1

*It includes Empty Extinguisher, Contents, Plastic Base, Hose / Horn and bracket.

**It includes Empty Extinguisher, Contents, Packaging, Plastic Base, Hose / Horn and bracket.

CERTIFICATIONS



PRODUCT PICTURES



2 KG

4 KG

6 KG

9 KG

*v1' Published Date is 30-05-2026.

**Regular R&D and product improvisations may lead to change in product specifications in this data sheet, without any prior notice.