

WATER-BASED WHEELED EXTINGUISHERS

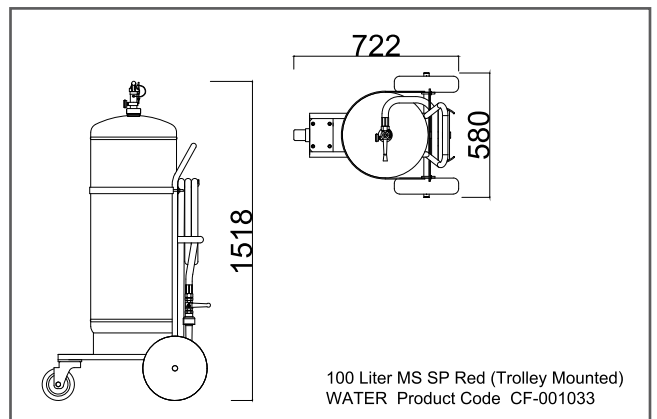
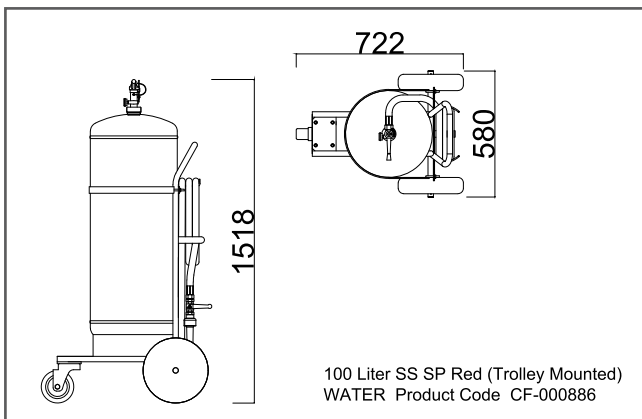
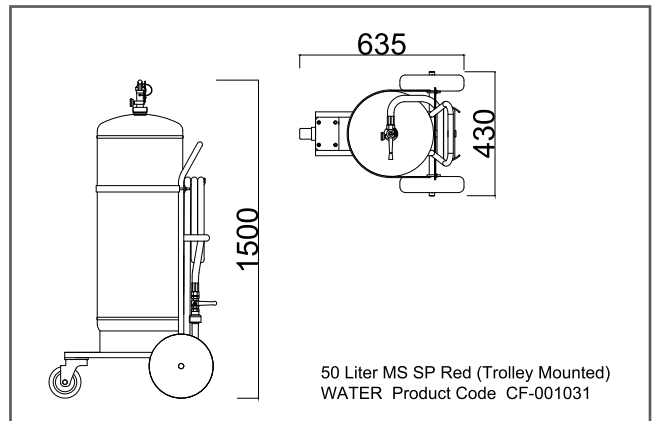
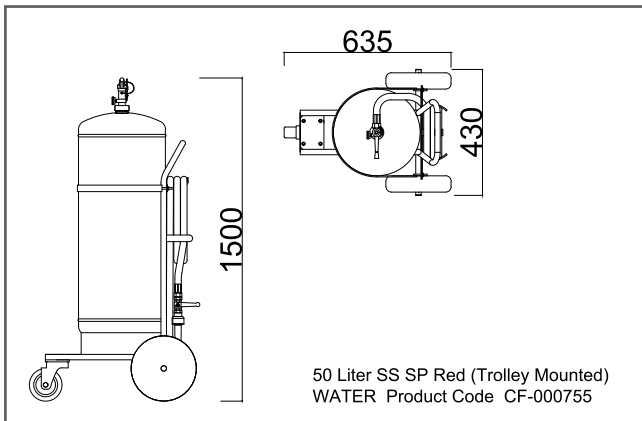
PRODUCT OVERVIEW

When a fire breaks out, there are bigger dangers than the ones you can see. The rising temperature of fuel around the fire, paper, and cloth are the best examples. Water is the only extinguishing agent that can instantly bring down the temperature of the fire and the area around it.

Ceasefire's water extinguishers use proprietary stored pressure technology, delivering a high power throw of water. It makes them more effective against the fire and allows the firefighter to stay at a safe distance from the flames. They are also packed with all the trademark features that make Ceasefire the fastest, safest, and most user-friendly extinguishers in the market today. It not only comes with a 5-year warranty but also fights against class A and B fires.



ENGINEERING DRAWINGS





TECHNICAL SPECIFICATIONS

| Product Code | UOM | CF-000755 | CF-001031 | CF-000886 | CF-001033 |
|-----------------------------|-----|--|--|--|---|
| Description | — | Fire Ext Water 50L SS SP Red | Fire Ext Water 50L MS SP Red | Fire Ext Water 100L SS SP Red | Fire Ext Water 100L MS SP Red |
| Capacity of Agent | L | 50-5% | 50-5% | 100-5% | 100-5% |
| Certification | — | BS EN1866 - LPCB BS EN1866 - KITEMARK PED UKCA-PED | BS EN1866 - LPCB BS EN1866 - KITEMARK EU-MED UKCA-MER PED UKCA-PED | BS EN1866 - LPCB BS EN1866 - KITEMARK PED UKCA-PED | BS EN1866 - LPCB BS EN1866 - KITEMARK EU-MED UKCA-MER PED UKCA-PED |
| Diameter of Shell | MM | 300 | 300 | 400 | 400 |
| Total Height (approx.) | MM | 1510 | 1510 | 1520 | 1520 |
| MOC of Shell | — | SS 304 (1.4301) | Steel Cr2 (DC01) | SS 304 (1.4301) | Steel Hr3 (DD13) |
| Min. Wall Thickness | MM | 1.8 | 3 | 2 | 3.5 |
| Test Pressure | BAR | 30 | 30 | 30 | 30 |
| Anti-Corrosive Treatment | — | Outer surfaces are EP Powder coated having Thickness 50 Micron Min. RAL Shade 3000 | Outer surfaces are EP Powder coated having Thickness 50 Micron Min. RAL Shade 3000 | Outer surfaces are EP Powder coated having Thickness 50 Micron Min. RAL Shade 3000 | |
| Service Pressure | BAR | 15 | 15 | 15 | 15 |
| Type of Operating Mechanism | — | Operating Lever (Ball Valve) | Operating Lever (Ball Valve) | Operating Lever (Ball Valve) | Operating Lever (Ball Valve) |
| Type of Pressure Gauge | — | Magnetic Bourdon Tube Type | Magnetic Bourdon Tube Type | Magnetic Bourdon Tube Type | Magnetic Bourdon Tube Type |



| Product Code | UOM | CF-000755 | CF-001031 | CF-000886 | CF-001033 |
|---|-------|---|---|---|---|
| Type of Dis. Fitting & Length | MM | EPDM Rubber Braided Hose Pipe with nozzle Length of Hose 5000mm (Min.) | EPDM Rubber Braided Hose Pipe with nozzle Length of Hose 5000mm (Min.) | EPDM Rubber Braided Hose Pipe with nozzle Length of Hose 5000mm (Min.) | EPDM Rubber Braided Hose Pipe with nozzle Length of Hose 5000mm (Min.) |
| Average Discharge Duration as per - EN 1866 Clause 8.2.2 | SEC. | 40 | 40 | 80 | 80 |
| Throw up to (approx.) | METER | 10 | 10 | 10 | 10 |
| Fire Rating | — | A | A | A | A |
| Operating Temperature Range | °C | 5°C to +55°C | 5°C to +55°C | 5°C to +55°C | 5°C to +55°C |
| Applicable to Type of Fire | — | Class A Fire | Class A Fire | Class A Fire | Class A Fire |
| Filled Weight Range* | KG | Approx. 91.50 | Approx. 102.50 | Approx. 158.20 | Approx. 178.50 |
| Packed Weight Range (approx)** | KG | 102 | 113 | 181.93 | 205.28 |
| Packed Size Length x Width x Height | MM | 450 x 640 x 1555 | 450 x 640 x 1555 | 790 x 650 x 1650 | 790 x 650 x 1650 |
| Product Warranty | YEAR | 5 | 5 | 5 | 5 |

*It includes Empty Extinguisher, Contents, Hose / Nozzle and trolley.

**It includes Empty Extinguisher, Packaging, Contents, Hose / Nozzle and trolley.

CERTIFICATIONS



PRODUCT PICTURES



*v2' Published Date is 27-04-2026.

**Regular R&D and product improvisations may lead to change in product specifications in this data sheet, without any prior notice.