

## CO<sub>2</sub> BASED PORTABLE EXTINGUISHERS

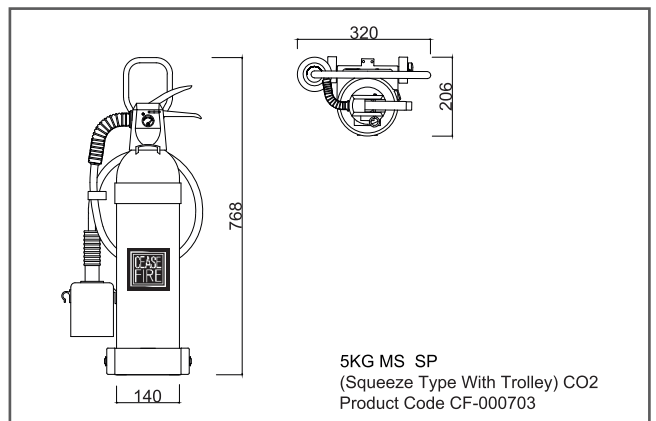
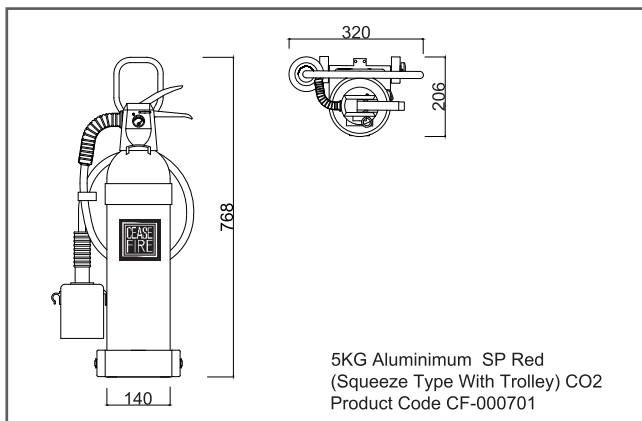
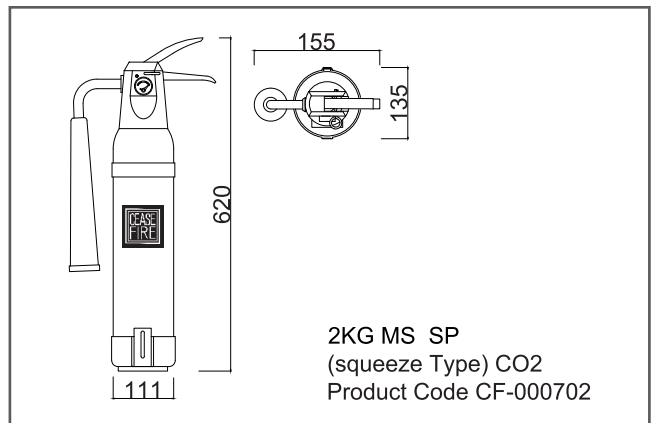
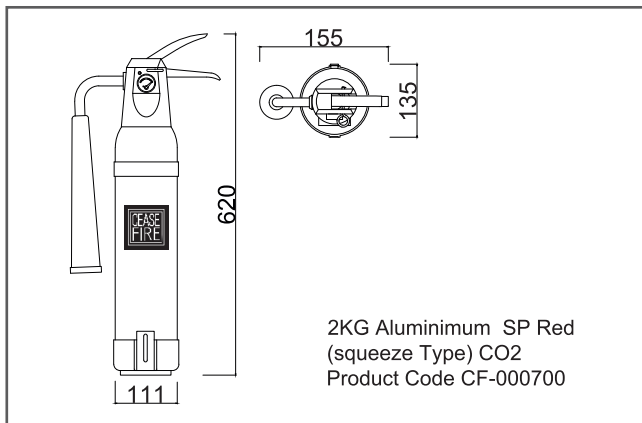
### PRODUCT OVERVIEW

A small fire can grow into a lethal blaze within seconds, and especially difficult to control are the volatile class B and C fires. These fires burn on flammable liquids and gases, that spread very fast and are extremely difficult to contain. Specially designed for such fires is the Ceasefire CO<sub>2</sub> based extinguishers. These extinguishers are packed with tremendous power, and are very effective in putting out these volatile class B and C fires. Ceasefire has a wide range of CO<sub>2</sub> based extinguishers that are available in a number of variants to choose from.

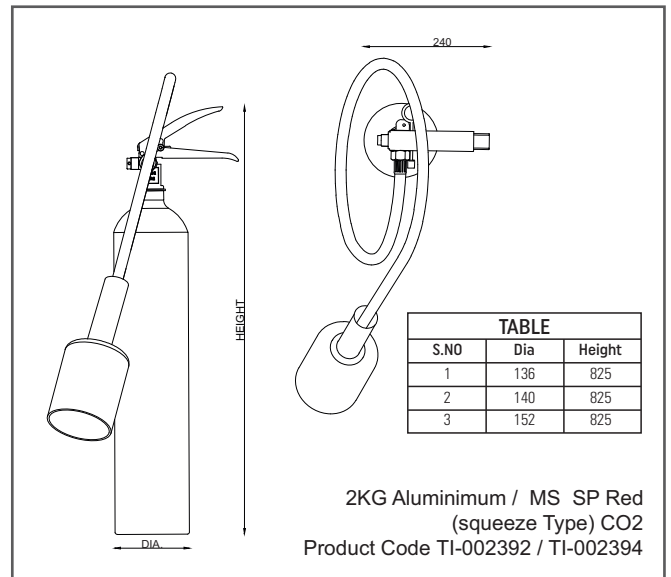
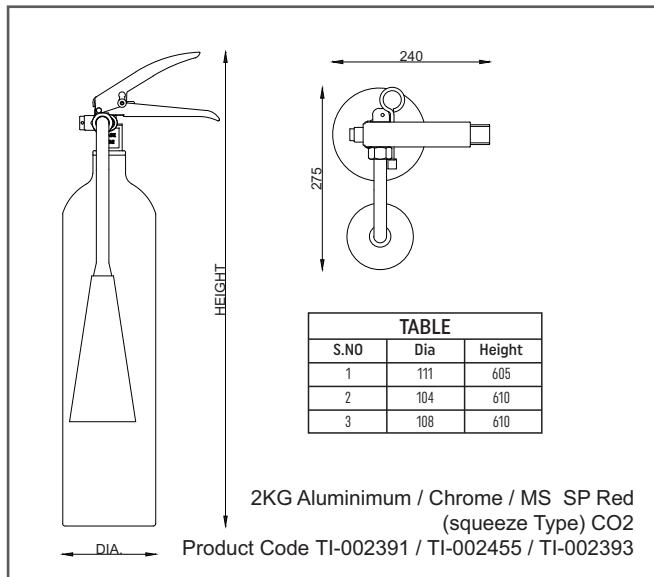


Extremely user-friendly, with a protective cover over the valve to avoid the risk of freeze burn, Ceasefire's CO<sub>2</sub> type extinguishers are the perfect weapon against large, hard-to-fight B and C class fires. This system makes use of Carbon Dioxide which is also known as dry ice. Due to its non-corrosive nature, it doesn't leave behind any residue after being sprayed to extinguish fires. At the same time, it causes no harm to the environment.

### ENGINEERING DRAWINGS (with used & ready mechanism)



## ENGINEERING DRAWINGS



### TECHNICAL SPECIFICATIONS (with used & ready mechanism)

Product Code	UOM	CF-000700	CF-000702	CF-000701	CF-000703
<b>Description</b>	—	Fire Ext CO2 2KG Aluminium squeeze Grip SP Red	Fire Ext CO2 2KG MS squeeze Grip SP	Fire Ext CO2 5KG Aluminium squeeze Grip with Trolley SP Red	Fire Ext CO2 5KG MS squeeze Grip with Trolley SP
<b>Capacity of Agent</b>	KG	2-5%	2-5%	5-5%	5-5%
<b>Certification</b>	—	BS EN3 - LPCB BS EN3 - KITEMARK EU-MED UKCA-MER PED UKCA-PED	BS EN3 - LPCB BS EN3 - KITEMARK EU-MED UKCA-MER PED UKCA-PED	BS EN3 - LPCB BS EN3 - KITEMARK EU-MED UKCA-MER PED UKCA-PED	BS EN3 - LPCB BS EN3 - KITEMARK EU-MED UKCA-MER PED UKCA-PED
<b>Diameter of Shell</b>	MM	108	108	152	140
<b>Total Height (approx.)</b>	MM	605	610	825	825
<b>MOC of Shell</b>	—	Al Alloy 6061	M.S.(37Mn)	Al Alloy 6061	M.S.(37Mn)
<b>Min. Wall Thickness</b>	MM	6	3.5	7.3	3



Product Code	UOM	CF-000700	CF-000702	CF-000701	CF-000703
Test Pressure	BAR	250	250	250	250
Anti-Corrosive Treatment	—	Outer surfaces were EP Powder coated having Thickness 50 Micron Min. RAL Shade 3000	Outer surfaces were EP Powder coated having Thickness 50 Micron Min. RAL Shade 3000	Outer surfaces were EP Powder coated having Thickness 50 Micron Min. RAL Shade 3000	Outer surfaces were EP Powder coated having Thickness 50 Micron Min. RAL Shade 3000
Service Pressure	BAR	70	70	70	70
Type of Operating Mechanism	—	Squeeze Grip with Burst Disc.	Squeeze Grip with Burst Disc.	Squeeze Grip with Burst Disc.	Squeeze Grip with Burst Disc.
Type of Pressure Gauge	—	NA	NA	NA	NA
Type of Dis. Fitting & Length	MM	Bend and Horn Assembly	Bend and Horn Assembly	EPDM Rubber Braided Hose Pipe with nozzle Length of Hose 1000 mm	EPDM Rubber Braided Hose Pipe with nozzle Length of Hose 1000 mm
Throw	METER	3	3	4	4
Min. Discharge Time	SEC.	6	6	9	9
Fire Rating	—	34B	34B	70B	70B
Operating Temperature Range	°C	From -30°C to + 60°C	From -30°C to + 60°C	From -30°C to + 60°C	From -30°C to + 60°C
Applicable to Type of Fire	—	B, C & Electrical Started Fire	B, C & Electrical Started Fire	B, C & Electrical Started Fire	B, C & Electrical Started Fire
Filled Weight Range*	KG	6.5	8.7	13	17.6

Product Code	UOM	CF-000700	CF-000702	CF-000701	CF-000703
Packed Weight Range (approx)**	KG	7.4	9.54	16.1	20.7
Packed Size Length x Width x Height	MM	160 x 175 x 650	160 x 175 x 650	230 x 250 x 820	230 x 250 x 820
Product Warranty	-	5	5		5

\*It includes Empty Extinguisher, Contents, Plastic Base, Hose / Horn and bracket.

\*\*It includes Empty Extinguisher, Contents, Packaging, Plastic Base, Hose / Horn and bracket.

## CERTIFICATIONS



## PRODUCT PICTURES



2 KG



5KG





TECHNICAL SPECIFICATIONS

Product Code	UOM	TI-002391	TI-002455	TI-002393	TI-002392	TI-002394
<b>Description</b>	—	Fire Ext CO2 2KG Aluminium squeeze Grip SP Red	Fire Ext CO2 2KG Aluminium squeeze Grip SP Chrome	Fire Ext CO2 2KG MS squeeze Grip SP Red	Fire Ext CO2 5KG Aluminium squeeze Grip SP Red	Fire Ext CO2 5KG MS squeeze Grip SP Red
<b>Capacity of Agent</b>	KG	2 - 5%	2 - 5%	2 - 5%	5 - 5%	5 - 5%
<b>Certification</b>	—	PED	PED	PED	PED	PED
<b>Diameter of Shell</b>	MM	111	111	108 / 104	140 / 152 / 152	136 / 140
<b>Total Height (approx.)</b>		605	605	610	825	825
<b>MOC of Shell</b>	—	Al / Al / Alloy 6061	Al / Al / Alloy 6061	37Mn / 34CRMO4	Al / Alloy 6061 / Al	37Mn / 37CrMo4
<b>Min. Wall Thickness</b>	MM	5.6 / 5.7 / 6.0	5.6 / 5.7 / 6.0	2 / 3.5	5.6 / 7.06 / 8.7	2.6 / 3
<b>Test Pressure</b>	BAR	250	250	250	250	250
<b>Anti-Corrosive Treatment</b>	—	Outer surfaces were EP Powder coated having Thickness 50 Micron Min. RAL Shade 3000	Outer surfaces were EP Powder coated having Thickness 50 Micron Min. RAL Shade 3000	Outer surfaces were EP Powder coated having Thickness 50 Micron Min. RAL Shade 3000	Outer surfaces were EP Powder coated having Thickness 50 Micron Min. RAL Shade 3000	Outer surfaces were EP Powder coated having Thickness 50 Micron Min. RAL Shade 3000
<b>Service Pressure</b>	BAR	62	62	62	67	70
<b>Type of Operating Mechanism</b>	—	Squeeze Grip with Burst Disc.	Squeeze Grip with Burst Disc.	Squeeze Grip with Burst Disc.	Squeeze Grip with Burst Disc.	Squeeze Grip with Burst Disc.
<b>Type of Pressure Gauge</b>	—	NA	NA	NA	NA	NA
<b>Type of Dis. Fitting &amp; Length</b>	MM	Bend and Horn Assembly	Bend and Horn Assembly	Bend and Horn Assembly	EPDM Rubber Braided Hose Pipe with nozzle Length of Hose 1000 mm	EPDM Rubber Braided Hose Pipe with nozzle Length of Hose 1000 mm
<b>Throw</b>	METER	3	3	3	4	4



Product Code	UOM	TI-002391	TI-002455	TI-002393	TI-002392	TI-002394
Min. Discharge Time	SEC.	6	6	6	9	9
Fire Rating	—	55B	55B	89B	89B	34B
Operating Temperature Range	°C	From -30°C to + 60°C	From -30°C to + 60°C	From -30°C to + 60°C	From -30°C to + 60°C	From -30°C to + 60°C
Applicable to Type of Fire	—	B, C & Electrical Started Fire	B & Electrical Started Fire	B, C & Electrical Started Fire	B, C & Electrical Started Fire	B, C & Electrical Started Fire
Filled Weight Range*	KG	6.40 to 6.60	Approx. 6.50	8.70 to 8.90	Approx. 12.122	Approx. 16.707
Packed Weight Range (approx)**	KG	2.68	4.2	7.45	10.1	15.5
Packed Size Length x Width x Height	MM	125 X 115 X 400	130 X 140 X 415	160 X 160 X 470	175 X 175 X 715	190 X 195 X 650
Product Warranty	YEAR	5	5	5	5	5

\*It includes Empty Extinguisher, Contents, Plastic Base, Hose / Horn and bracket.

\*\*It includes Empty Extinguisher, Contents, Packaging, Plastic Base, Hose / Horn and bracket.

## CERTIFICATIONS



**PRODUCT PICTURES**



\*v2' Published Date is 14-07-2023.

\*\*Regular R&D and product improvisations may lead to change in product specifications in this data sheet, without any prior notice.