

ABC POWDER - BASED HOME FIRE EXTINGUISHERS

PRODUCT OVERVIEW

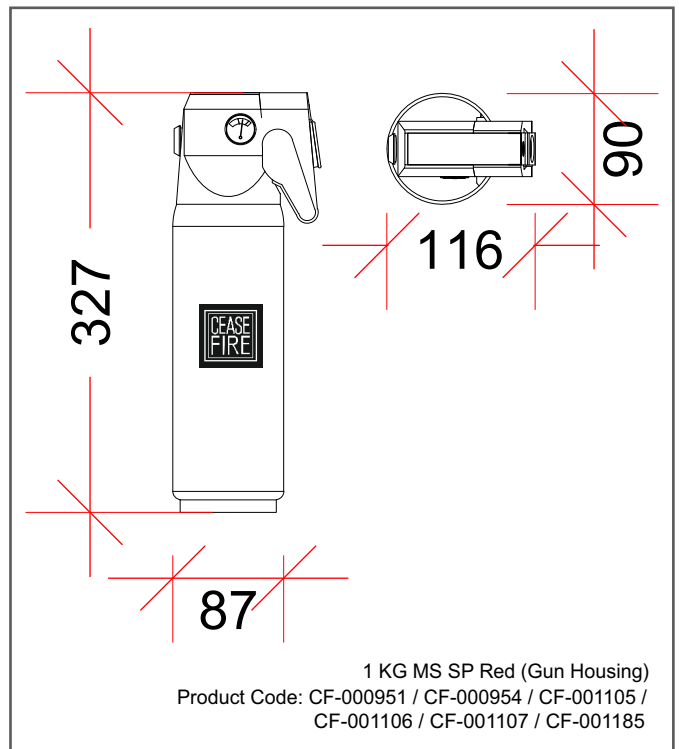
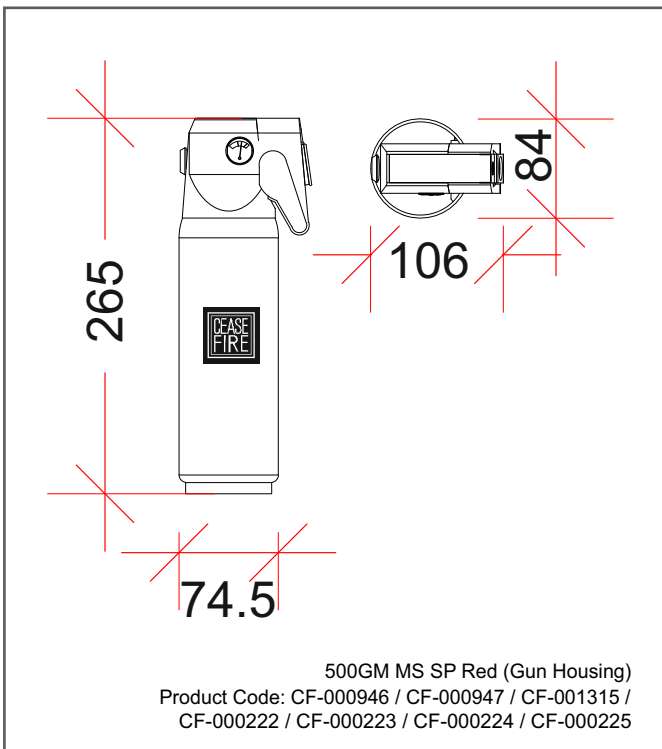
Ceasefire's ABC extinguishers are engineered for comprehensive protection, effective against Class A, B, and C fires, as well as electrical fires, removing the uncertainty and delay in selecting the correct extinguisher during critical moments.

These extinguishers are designed for rapid response with a simple two-step activation process, allowing fire suppression within seconds. With a 90% concentration of Mono Ammonium Phosphate, they deliver maximum firefighting capability. Rigorous quality controls and multi-point testing ensure consistent performance and reliability when it matters most.

Available in 500g and 1kg sizes, the ABC Powder variants are tailored for home fire scenarios, featuring a lightweight, intuitive 'point and shoot' design for ease of use.



ENGINEERING DRAWINGS





TECHNICAL SPECIFICATIONS

Product Code	UOM	CF-000946	CF-000947	CF-001315	CF-000222	CF-000223	CF-000224	CF-000225
Description	—	Fire Ext MAP90 500gm MS SP Hexalight (Gun Housing)	Fire Ext MAP90 500gm MS SP Kiterunner (Gun Housing)	Fire Ext MAP90 500gm MS SP Union Jack (Gun Housing)	Fire Ext MAP90 500gm MS SP Blue Texture (Gun Housing)	Fire Ext MAP90 500gm MS SP Ivory Texture (Gun Housing)	Fire Ext MAP90 500gm MS SP Red Texture (Gun Housing)	Fire Ext MAP90 500gm MS SP Silver Texture (Gun Housing)
Category	—	Art Range	Art Range	Art Range	Classic Range	Classic Range	Classic Range	Classic Range
Design	—	Hexalight	Kiterunner	Union Jack	Blue Texture	Ivory Texture	Red Texture	Silver Texture
Capacity of Agent	Kg	0.5 ± 5%	0.5 ± 5%	0.5 ± 5%	0.5 ± 5%	0.5 ± 5%	0.5 ± 5%	0.5 ± 5%
Certification	—	PED UKCA-PED	PED UKCA-PED	PED UKCA-PED	PED UKCA-PED	PED UKCA-PED	PED UKCA-PED	PED UKCA-PED
Diameter of Shell	mm	74.5	74.5	74.5	74.5	74.5	74.5	74.5
Total Height (approx.)	mm	265	265	265	265	265	265	265
MOC of Shell	—	Steel CR2 (DC01)	Steel CR2 (DC01)	Steel CR2 (DC01)	Steel CR2 (DC01)	Steel CR2 (DC01)	Steel CR2 (DC01)	Steel CR2 (DC01)
Min. Wall Thickness	mm	1.2	1.2	1.2	1.2	1.2	1.2	1.2
Test Pressure	Bar	35	35	35	35	35	35	35
Anti-Corrosive Treatment	—	Outer surfaces are EP powder coated having a thickness of 50-micron min. White Shade	Outer surfaces are EP powder coated having a thickness of 50-micron min. White Shade	Outer surfaces are EP powder coated having a thickness of 50-micron min. White Shade	Outer surfaces are EP powder coated having a thickness of 50-micron min. Blue	Outer surfaces are EP powder coated having a thickness of 50-micron min. Ivory	Outer surfaces are EP powder coated having a thickness of 50-micron min. Red	Outer surfaces are EP powder coated having a thickness of 50-micron min. Silver
Service Pressure	Bar	15	15	15	15	15	15	15



Product Code	UOM	CF-000946	CF-000947	CF-001315	CF-000222	CF-000223	CF-000224	CF-000225
Type of Operating Mechanism	—	Thumb Trigger	Thumb Trigger	Thumb Trigger	Thumb Trigger	Thumb Trigger	Thumb Trigger	Thumb Trigger
Type of Pressure Gauge	—	Magnetic Bourdon Tube Type	Magnetic Bourdon Tube Type	Magnetic Bourdon Tube Type	Magnetic Bourdon Tube Type	Magnetic Bourdon Tube Type	Magnetic Bourdon Tube Type	Magnetic Bourdon Tube Type
Type of Dis. Fitting & Length	—	Direct Nozzle	Direct Nozzle	Direct Nozzle	Direct Nozzle	Direct Nozzle	Direct Nozzle	Direct Nozzle
Throw up to (approx.)	m	3	3	3	3	3	3	3
Operating Temperature Range	°C	From -30°C to + 60°C	From -30°C to + 60°C	From -30°C to + 60°C	From -30°C to + 60°C	From -30°C to + 60°C	From -30°C to + 60°C	From -30°C to + 60°C
Applicable to Type of Fire	—	A, B, C, & Electrical Started Fire	A, B, C, & Electrical Started Fire	A, B, C, & Electrical Started Fire	A, B, C, & Electrical Started Fire	A, B, C, & Electrical Started Fire	A, B, C, & Electrical Started Fire	A, B, C, & Electrical Started Fire
Filled Weight Range (approx.)*	Kg	1.45	1.45	1.45	1.45	1.45	1.45	1.45
Packed Weight Range (approx.)**	Kg	1.68	1.68	1.68	1.68	1.68	1.68	1.68
Packed Size Length x Width x Height (approx.)	mm	125 x 115 x 400	125 x 115 x 400	125 x 115 x 400	125 x 115 x 400	125 x 115 x 400	125 x 115 x 400	125 x 115 x 400
Product Warranty	Year	5	5	5	5	5	5	5

*It includes Empty Extinguisher, Contents, Hose / Nozzle and trolley.

**It includes Empty Extinguisher, Packaging, Contents, Hose / Nozzle and trolley.



TECHNICAL SPECIFICATIONS

Product Code	UOM	CF-000951	CF-000954	CF-001105	CF-001106	CF-001107	CF-001185
Description	—	Fire Ext MAP90 1 Kg MS SP Waves (Gun Housing)	Fire Ext MAP90 1 Kg MS SP Elasticity (Gun Housing)	Fire Ext MAP90 1 Kg MS SP Ivory Texture (Gun Housing)	Fire Ext MAP90 1 Kg MS SP Blue Texture (Gun Housing)	Fire Ext MAP90 1 Kg MS SP Silver Texture (Gun Housing)	Fire Ext MAP90 1 Kg MS SP Red Texture (Gun Housing)
Category	—	Art Range	Art Range	Classic Range	Classic Range	Classic Range	Classic Range
Design	—	Hexalight	Kiterunner	Blue Texture	Ivory Texture	Silver Texture	Red Texture
Capacity of Agent	Kg	1 ± 5%	1 ± 5%	1 ± 5%	1 ± 5%	1 ± 5%	1 ± 5%
Certification	—	PED UKCA-PED	PED UKCA-PED	BS EN3 - LPCB* PED UKCA-PED	BS EN3 - LPCB* PED UKCA-PED	BS EN3 - LPCB* PED UKCA-PED	BS EN3 - LPCB* PED UKCA-PED
Diameter of Shell	mm	86.5	86.5	86.5	86.5	86.5	86.5
Total Height (approx.)	mm	325	325	325	325	325	325
MOC of Shell	—	Steel CR2 (DC01)	Steel CR2 (DC01)	Steel CR2 (DC01)	Steel CR2 (DC01)	Steel CR2 (DC01)	Steel CR2 (DC01)
Min. Wall Thickness	mm	1.6	1.6	1.0	1.0	1.0	1.0
Test Pressure	Bar	35	35	35	35	35	35
Anti-Corrosive Treatment	—	Outer surfaces are EP powder coated having a thickness of 50-micron min. White Shade	Outer surfaces are EP powder coated having a thickness of 50-micron min. White Shade	Outer surfaces are EP powder coated having a thickness of 50-micron min. Blue	Outer surfaces are EP powder coated having a thickness of 50-micron min. Ivory	Outer surfaces are EP powder coated having a thickness of 50-micron min. Silver	Outer surfaces are EP powder coated having a thickness of 50-micron min. Red
Service Pressure	Bar	15	15	15	15	15	15



Product Code	UOM	CF-000951	CF-000954	CF-001105	CF-001106	CF-001107	CF-001185
Type of Operating Mechanism	—	Thumb Trigger	Thumb Trigger	Thumb Trigger	Thumb Trigger	Thumb Trigger	Thumb Trigger
Type of Pressure Gauge	—	Magnetic Bourdon Tube Type	Magnetic Bourdon Tube Type	Magnetic Bourdon Tube Type	Magnetic Bourdon Tube Type	Magnetic Bourdon Tube Type	Magnetic Bourdon Tube Type
Type of Dis. Fitting & Length	—	Direct Nozzle	Direct Nozzle	Direct Nozzle	Direct Nozzle	Direct Nozzle	Direct Nozzle
Throw up to (approx.)	m	3	3	3	3	3	3
Min. Discharge Time	Sec.	—	—	9	9	9	9
Fire Rating	—	—	—	5A 21B	5A 21B	5A 21B	5A 21B
Operating Temperature Range	°C	From -30°C to +60°C	From -30°C to +60°C	From -30°C to +60°C	From -30°C to +60°C	From -30°C to +60°C	From -30°C to +60°C
Applicable to Type of Fire	—	A, B, C, & Electrical Started Fire	A, B, C, & Electrical Started Fire	A, B, C, & Electrical Started Fire	A, B, C, & Electrical Started Fire	A, B, C, & Electrical Started Fire	A, B, C, & Electrical Started Fire
Filled Weight Range (approx.)**	Kg	2.20 to 2.30	2.20 to 2.30	2.20 to 2.30	2.20 to 2.30	2.20 to 2.30	2.20 to 2.30
Packed Weight Range (approx.)***	Kg	2.68	2.68	2.68	2.68	2.68	2.68
Packed Size Length x Width x Height (approx.)	mm	125 x 115 x 400	125 x 115 x 400	125 x 115 x 400	125 x 115 x 400	125 x 115 x 400	125 x 115 x 400
Product Warranty	Year	5	5	5	5	5	5

*Technical approval to EN 3 except EN 3-7 clause 16.1 LPCB ref 1329g.

**It includes Empty Extinguisher, Contents, Hose / Nozzle and trolley.

***It includes Empty Extinguisher, Packaging, Contents, Hose / Nozzle and trolley.

CERTIFICATIONS



PRODUCT PICTURES

DESIGNER SERIES
THE CLASSIC RANGE



1 KG

500 GM

1 KG

500 GM

1 KG

500 GM

1 KG

500 GM

PRODUCT PICTURES

**DESIGNER SERIES
THE ART RANGE**



Kiterunner

500 GM



Hexalight

500 GM



Union Jack

500 GM



Elasticity 1 KG



Waves 1 KG

*v2' Published Date is 27-04-2026.

**Regular R&D and product improvisations may lead to change in product specifications in this data sheet, without any prior notice.