

ABC POWDER PORTABLE EXTINGUISHERS (MAP 90) STORED PRESSURE

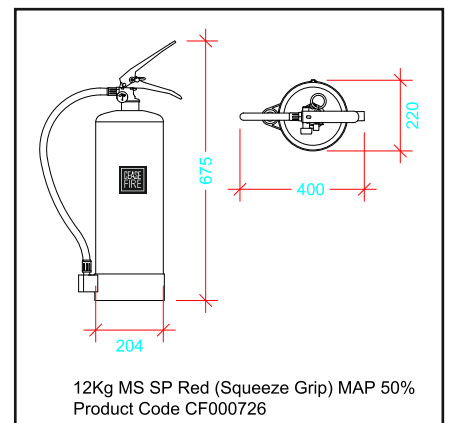
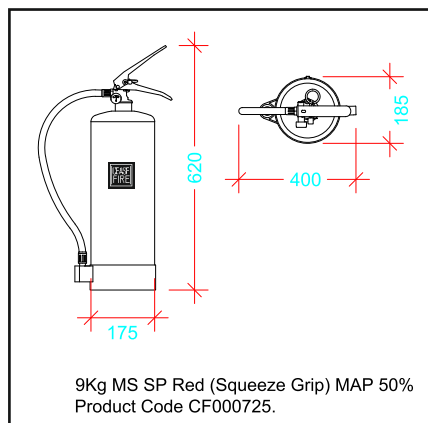
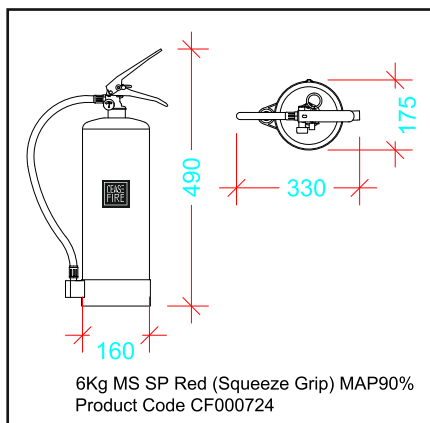
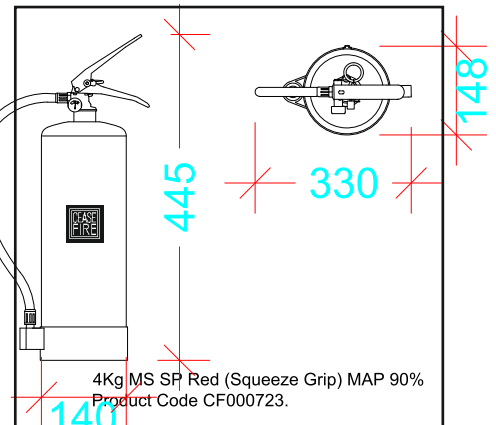
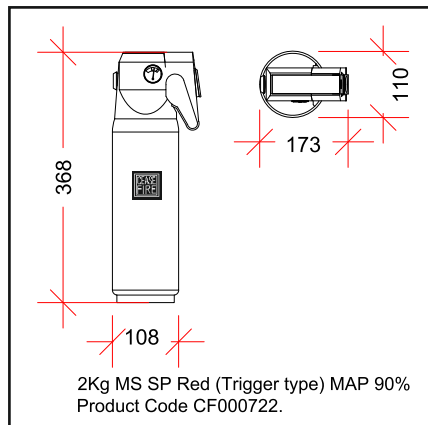
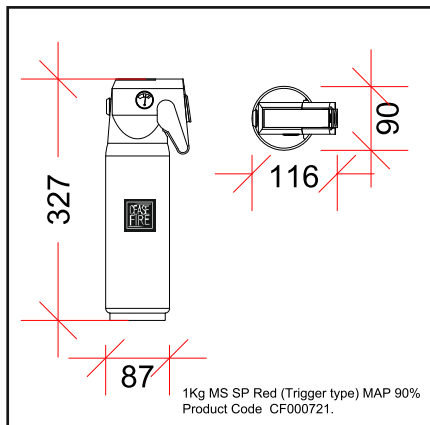
PRODUCT OVERVIEW

Fires can strike anytime and any place. In the fight against fire, speed is the key. The quickly one dozes off the fire, the better the chances of controlling fire and its associated damage. To prevent any kind of casualties from taking place a fire extinguisher act as the first line of defence against fire. ABC MAP 90 portable fire extinguishers contain the highest concentration i.e. 90% of Mono Ammonium Phosphate.

This makes these extinguishers the most potent and effective against fire. When sprayed on a burning surface, it absorbs the heat, melts, and fuses to form a thin, transparent layer thereby, cutting off the oxygen to prevent re-ignition. ABC MAP 90 fire extinguishers work on classes A, B, C, and Electrically started fires.



ENGINEERING DRAWINGS



Product Code	UOM	CF-000721	CF-000722	CF-000723	CF-000724	CF-000725	CF-000726
Type of Dis. Fitting & Length	MM	Direct Nozzle	Direct Nozzle	EPDM Rubber Braided Hose Pipe with a nozzle Length of Hose 440 mm	EPDM Rubber Braided Hose Pipe with a nozzle Length of Hose 450 mm	EPDM Rubber Braided Hose Pipe with a nozzle Length of Hose 680 mm	EPDM Rubber Braided Hose Pipe with a nozzle Length of Hose 760 mm
Throw up to (approx.)	METER	3	3.5	4	6	7	7
Average Discharge Duration as per BS EN 3-7:2004+A1:2007, clause 71.2	SEC.	9	10	15	17	17	27
Fire Rating	—	5A 21A	13A 55B	21A 144B	27A 183B	43A 233B	55A 233B
Operating Temperature Range	°C	From -30°C to +60°C	From -30°C to +60°C	From -30°C to +60°C	From -30°C to +60°C	From -30°C to +60°C	From -30°C to +60°C
Applicable to Type of Fire	—	A, B, C, & Electrical Started Fire	A, B, C, & Electrical Started Fire	A, B, C, & Electrical Started Fire	A, B, C, & Electrical Started Fire	A, B, C, & Electrical Started Fire	A, B, C, & Electrical Started Fire
Filled Weight Range*	KG	2.20 to 2.30	3.54 to 3.66	6.71 to 6.87	9.12 to 9.36	14.54 to 14.90	Approx. 19.90
Packed Weight Range (approx)**	KG	2.68	4.2	7.45	10.1	15.5	19.85
Packed Size Length x Width x Height	MM	125 x 115 x 400	130 x 140 x 415	160 x 160 x 470	175 x 175 x 715	190 x 195 x 650	215 x 215 x 715
Product Warranty	YEAR	5	5	5	5	5	5

*It includes Empty Extinguisher, Contents, Hose / Nozzle and trolley.

**It includes Empty Extinguisher, Packaging, Contents, Hose / Nozzle and trolley.

CERTIFICATIONS



PRODUCT PICTURES



2 KG



4 KG



6 KG



9 KG



12 KG

*v3' Published Date is 27-04-2026.

**Regular R&D and product improvisations may lead to change in product specifications in this data sheet, without any prior notice.