

FOAM-BASED WHEELED EXTINGUISHERS

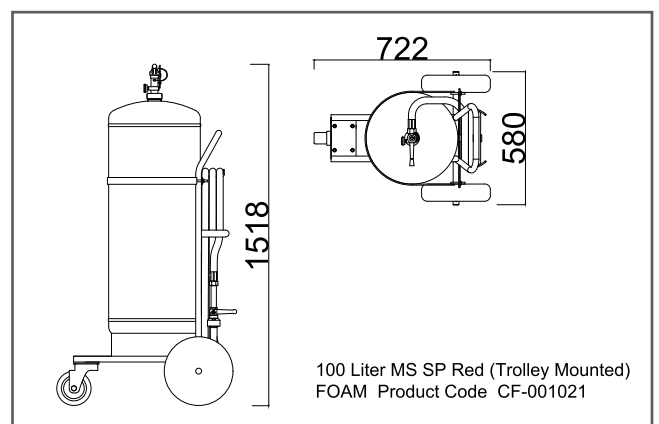
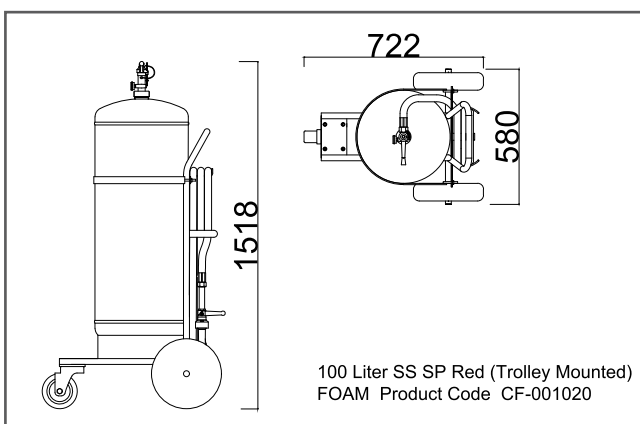
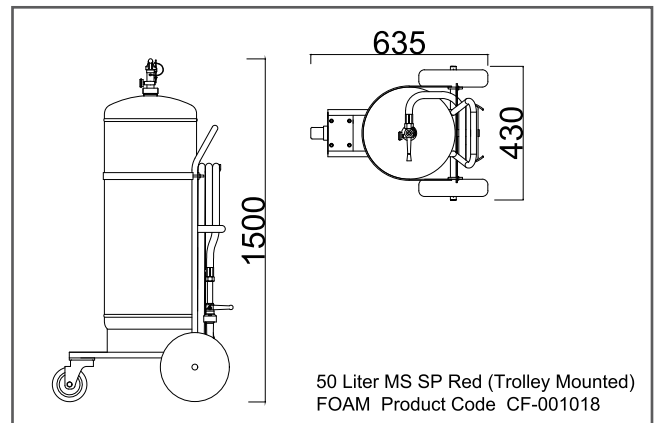
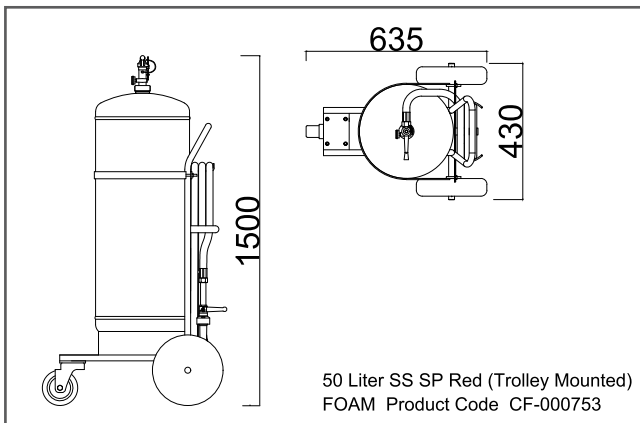
PRODUCT OVERVIEW

Ceasefire's foam extinguishers use the squeeze grip mechanism, making them faster and easier to use. The proprietary stored pressure technology delivers high power throw, making these extinguishers extremely effective.

The quickest way to kill a fire is to not let it feed off the oxygen in the vicinity. Ceasefire Foam-based extinguishers use a chemical foam that blankets the flames and cuts off the oxygen supply. While they are effective against Class A and B fires, they are ideal for use on burning liquids like oil and petrol. It comes with ISO 9001 and CE certification, and conforms to ISI standards.



ENGINEERING DRAWINGS





TECHNICAL SPECIFICATIONS

Product Code	UOM	CF-000753	CF-001018	CF-001020	CF-001021
Description	—	Fire Ext Foam 50L SS SP Red	Fire Ext Foam 50L MS SP Red	Fire Ext Foam 100L SS SP Red	Fire Ext Foam 100L MS SP Red
Capacity of Agent	L	50-5%	50-5%	100-5%	100-5%
Certification	—	BS EN1866 - LPCB BS EN1866 - KITEMARK PED UKCA-PED	BS EN1866 - LPCB BS EN1866 - KITEMARK EU-MED UKCA-MER PED UKCA-PED	BS EN1866 - LPCB BS EN1866 - KITEMARK PED UKCA-PED	BS EN1866 - LPCB BS EN1866 - KITEMARK EU-MED UKCA-MER PED UKCA-PED
Diameter of Shell	MM	300	300	400	400
Total Height (approx.)	MM	1510	1510	1550	1520
MOC of Shell	—	SS 304 (1.4301)	Steel CR2 (DC01)	SS 304 (1.4301)	Steel HR3 (DD13)
Min. Wall Thickness	MM	1.8	3	2	3.5
Test Pressure	BAR	30	30	30	30
Anti-Corrosive Treatment	—	Outer surfaces are EP Powder coated having Thickness 50 Micron Min. RAL Shade 3000	Outer surfaces are EP Powder coated having Thickness 50 Micron Min. RAL Shade 3000	Outer surfaces are EP Powder coated having Thickness 50 Micron Min. RAL Shade 3000	Outer surfaces are EP Powder coated having Thickness 50 Micron Min. RAL Shade 3000
Service Pressure	BAR	15	15	15	15
Type of Operating Mechanism	—	Operating Lever (Ball Valve)	Operating Lever (Ball Valve)	Operating Lever (Ball Valve)	Operating Lever (Ball Valve)
Type of Pressure Gauge	—	Magnetic Bourdon Tube Type	Magnetic Bourdon Tube Type	Magnetic Bourdon Tube Type	Magnetic Bourdon Tube Type

Product Code	UOM	CF-000753	CF-001018	CF-001020	CF-001021
Type of Dis. Fitting & Length	MM	EPDM Rubber Braided Hose Pipe with nozzle Length of Hose 5000mm (Min.)	EPDM Rubber Braided Hose Pipe with nozzle Length of Hose 5000mm (Min.)	EPDM Rubber Braided Hose Pipe with nozzle Length of Hose 5000mm (Min.)	EPDM Rubber Braided Hose Pipe with nozzle Length of Hose 5000mm (Min.)
Average Discharge Duration as per - EN 1866 Clause 8.2.2	SEC.	40	40	80	80
Throw up to (approx.)	METER	11	11	11	11
Fire Rating	—	A IVB	A IVB	A IVB	A IVB
Operating Temperature Range	°C	5°C to +60°C	5°C to +60°C	5°C to +60°C	5°C to +60°C
Applicable to Type of Fire	—	Class A & B Fire	Class A & B Fire	Class A & B Fire	Class A & B Fire
Filled Weight Range*	KG	Approx. 90.50	Approx. 101.50	Approx. 157.20	Approx. 177.50
Packed Weight Range (approx)**	KG	101	112	182.28	204.13
Packed Size Length x Width x Height	MM	450 x 640 x 1555	450 x 640 x 1555	790 x 650 x 1650	790 x 650 x 1650
Product Warranty	YEAR	5	5	5	5

*It includes Empty Extinguisher, Contents, Hose / Nozzle and trolley.

**It includes Empty Extinguisher, Packaging, Contents, Hose / Nozzle and trolley.

CERTIFICATIONS



PRODUCT PICTURES



100 L



50 L

*v2' Published Date is 27-04-2026.

**Regular R&D and product improvisations may lead to change in product specifications in this data sheet, without any prior notice.

CEASEFIRE INDUSTRIES UK LIMITED

Call us at: 0-113-868-6666, 0-126-891-9999

www.ceasefire.co.uk