

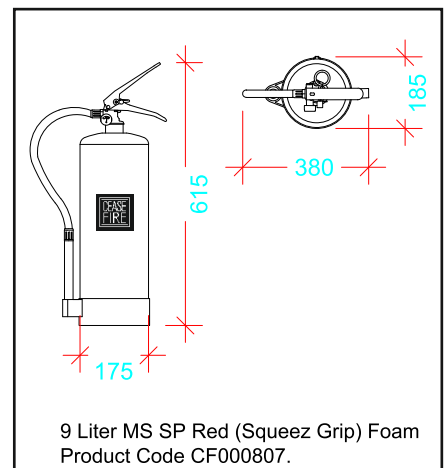
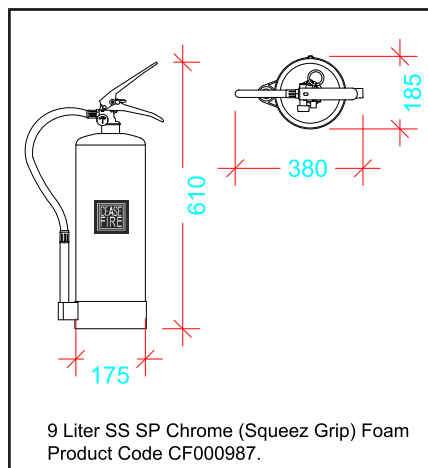
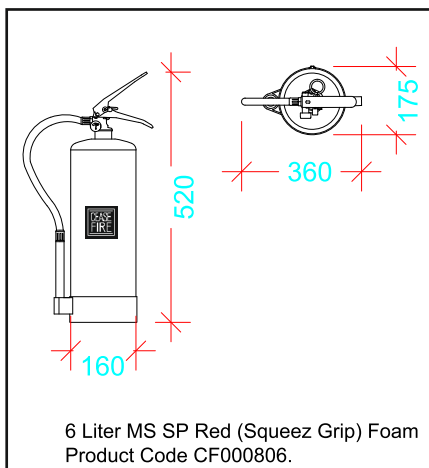
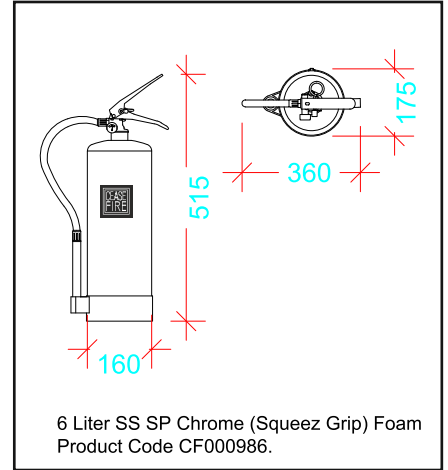
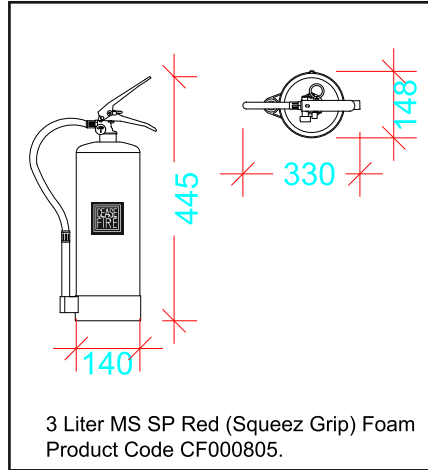
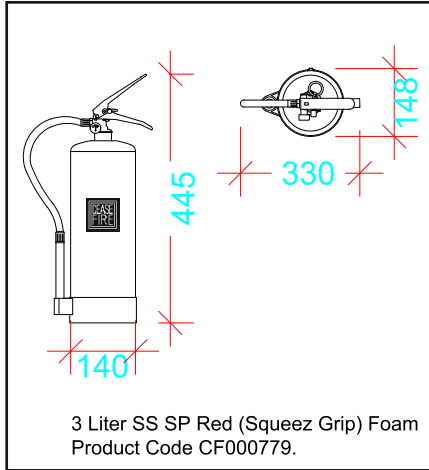
FOAM-BASED PORTABLE EXTINGUISHERS

PRODUCT OVERVIEW

Ceasefire's Foam extinguishers use the squeeze grip mechanism, making them faster and easier to use. The proprietary stored pressure technology also delivers high power throw, making these extinguishers extremely effective. The quickest way to kill a fire is to not let it feed off the oxygen in the vicinity. Ceasefire's Foam-based extinguishers use a chemical foam that blankets the flames and cuts off the oxygen supply. While they are effective against Class A and B fires, they are ideal for use on burning liquids like oil and petrol.



ENGINEERING DRAWINGS





Product Code	UOM	CF-000779	CF-000805	CF-000986	CF-000806	CF-000987	CF-000807
Type of Dis. Fitting & Length	MM	EPDM Rubber Braided Hose Pipe with nozzle Length of Hose 300mm (Min.)	EPDM Rubber Braided Hose Pipe with nozzle Length of Hose 300mm (Min.)	EPDM Rubber Braided Hose Pipe with nozzle Length of Hose 500mm (Min.)	EPDM Rubber Braided Hose Pipe with nozzle Length of Hose 500mm (Min.)	EPDM Rubber Braided Hose Pipe with nozzle Length of Hose 500mm (Min.)	EPDM Rubber Braided Hose Pipe with nozzle Length of Hose 500mm (Min.)
Throw	METER	5	5	5	5	6	6
Min. Discharge Time	SEC.	9	9	15	15	15	15
Fire Rating	—	8A 89B	8A 89B	13A 144B	13A 144B	21A 233B	21A 233B
Operating Temperature Range	°C	From +5°C to +60°C	From +5°C to +60°C	From +5°C to +60°C	From +5°C to +60°C	From +5°C to +60°C	From +5°C to +60°C
Applicable to Type of Fire	—	A, B	A, B	A, B	A, B	A, B	A, B
Filled Weight Range*	KG	Approx. 6	Approx. 5.30	Approx. 9.50	Approx. 9.30	Approx. 13.30	Approx. 13.30
Packed Weight Range (approx)**	KG	Approx. 7	Approx. 6	Approx. 10.2	Approx. 10.1	Approx. 14	Approx. 15.3 kg
Packed Size Length x Width x Height	MM	160 x 160 x 470	160 x 160 x 470	230 x 220 x 670	230 x 220 x 670	190 x 195 x 650	190 x 195 x 650
Product Warranty	YEAR	5	5	5	5	5	5

*It includes Empty Extinguisher, Contents, Hose / Nozzle and trolley.

**It includes Empty Extinguisher, Packaging, Contents, Hose / Nozzle and trolley.

CERTIFICATIONS



PRODUCT PICTURES



3L

6L

6L

9L

9L

*v2' Published Date is 14-07-2023.

**Regular R&D and product improvisations may lead to change in product specifications in this data sheet, without any prior notice.