

# FLUORINE-FREE FOAM PORTABLE EXTINGUISHERS

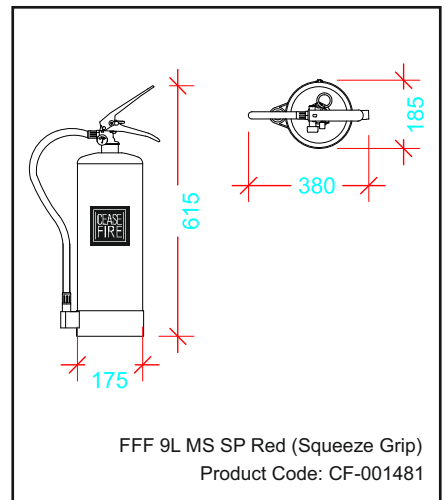
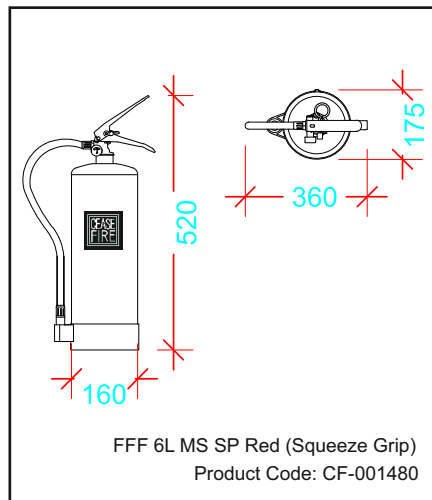
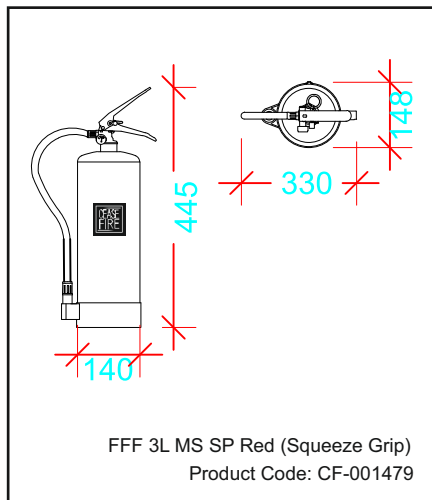
## PRODUCT OVERVIEW

Positioned at the forefront of innovation, Ceasefire’s Fluorine-Free Foam Extinguishers are first of its kind that are poised to redefine the standards of fire safety, offering not just a product but a game-changing approach towards safeguarding lives and the environment.

Ceasefire’s Fluorine-Free technology not only ensures uncompromised fire extinguishing capability but also aligns with global environmental sustainability goals. Engineered to provide a safer and eco-friendly alternative, Ceasefire's Fluorine-Free Foam Fire Extinguishers mark a significant leap towards a greener and more responsible future in fire safety. As the industry shifts towards more environmentally conscious solutions, our Fluorine-Free Foam Fire Extinguishers stand as a testament to Ceasefire's commitment to both effective firefighting and ecological responsibility.



## ENGINEERING DRAWINGS





**TECHNICAL SPECIFICATIONS**

Product Code	UOM	CF-001479	CF-001480	CF-001481
<b>Product Name</b>	—	Fluorine Free Foam Fire Extinguisher 3L	Fluorine Free Foam Fire Extinguisher 6L	Fluorine Free Foam Fire Extinguisher 9L
<b>Description</b>	—	Fire extinguisher Fluorine Free Foam 3L MS SP Red	Fire extinguisher Fluorine Free Foam 6L MS SP Red	Fire extinguisher Fluorine Free Foam 9L MS SP Red
<b>Capacity of Agent</b>	L	3	6	9
<b>Filling Tolerance</b>	%	-5	-5	-5
<b>Agent</b>	—	Water + Fluorine Free Foam 6%	Water + Fluorine Free Foam 6%	Water + Fluorine Free Foam 6%
<b>Certification Standard</b>	—	BS EN3 - LPCB BS EN3 - KITEMARK EU-MED UKCA-MER PED UKCA-PED	BS EN3 - LPCB BS EN3 - KITEMARK EU-MED UKCA-MER PED UKCA-PED	BS EN3 - LPCB BS EN3 - KITEMARK EU-MED UKCA-MER PED UKCA-PED
<b>Diameter of Shell</b>	MM	140	160	175
<b>Total Height (approx.)</b>	MM	445	520	615
<b>MOC of Shell</b>	—	Steel CR2 (DC01)	Steel CR2 (DC01)	Steel CR2 (DC01)
<b>Min. Wall Thickness</b>	MM	1.2	1.4	1.4
<b>Test Pressure</b>	BAR	30	30	30
<b>Anti-Corrosive Treatment External</b>	—	Outer surfaces were EP Powder coated having Thickness 50 Micron Min. RAL Shade 3000	Outer surfaces were EP Powder coated having Thickness 50 Micron Min. RAL Shade 3000	Outer surfaces were EP Powder coated having Thickness 50 Micron Min. RAL Shade 3000
<b>Anti-Corrosive Treatment Internal</b>	—	Plastic Lining	Plastic Lining	Plastic Lining
<b>Service Pressure</b>	BAR	15	15	15

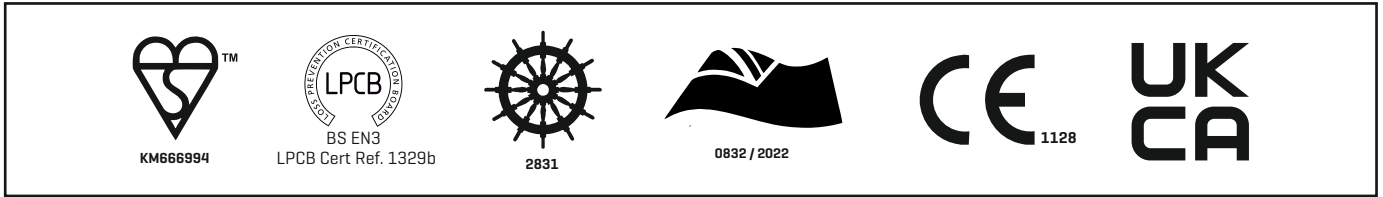


Product Code	UOM	CF-001479	CF-001480	CF-001481
Type of Operating Mechanism	—	Squeeze Grip	Squeeze Grip	Squeeze Grip
Valve	—	MOC: Brass, with NRV and PRV. Construction: Forging and Machining	MOC: Brass, with NRV and PRV. Construction: Forging and Machining	MOC: Brass, with NRV and PRV. Construction: Forging and Machining
Type of Pressure Gauge	—	Magnetic Bourdon Tube Type	Magnetic Bourdon Tube Type	Magnetic Bourdon Tube Type
Type of Dis. Fitting & Length	MM	EPDM Rubber Braided Hose Pipe with nozzle Length of Hose 300mm (min.)	EPDM Rubber Braided Hose Pipe with nozzle Length of Hose 400mm (min.)	EPDM Rubber Braided Hose Pipe with nozzle Length of Hose 500mm (min.)
Average Discharge Duration as per BS EN 3-7:2004+A1:2007, clause 71.2	SEC	9	12	12
Throw up to (approx.)	METER	5	5	6
Fire Ratings	—	8A:55B	13A:113B	21A:183B
Operating Temperature Range	°C	From +5°C to +60°C	From +5°C to +60°C	From +5°C to +60°C
Applicable to Type of Fire	—	Class A & B	Class A & B	Class A & B
Filled Weight Range*	KG	5.5	9.6	13.65
Packed Weight Range (approx)**	KG	6	10.2	15.2
Packed Size Length x Width x Height	MM	160 x 160 x 470	175 x 175 x 585	230 x 220 x 670
Product Warranty	YEARS	5	5	5

\*It includes Empty Extinguisher, Contents, Plastic Base, Hose / Horn and bracket.

\*\*It includes Empty Extinguisher, Contents, Packaging, Plastic Base, Hose / Horn and bracket.

**CERTIFICATIONS**



**PRODUCT PICTURES**



\*v2' Published Date is 15-07-2025.

\*\*Regular R&D and product improvisations may lead to change in product specifications in this data sheet, without any prior notice.