

## CO<sub>2</sub> BASED PORTABLE EXTINGUISHERS

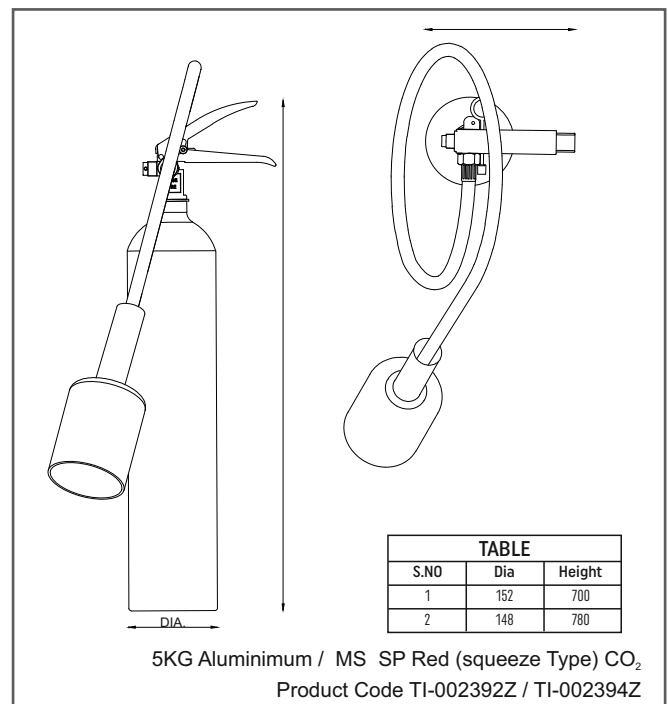
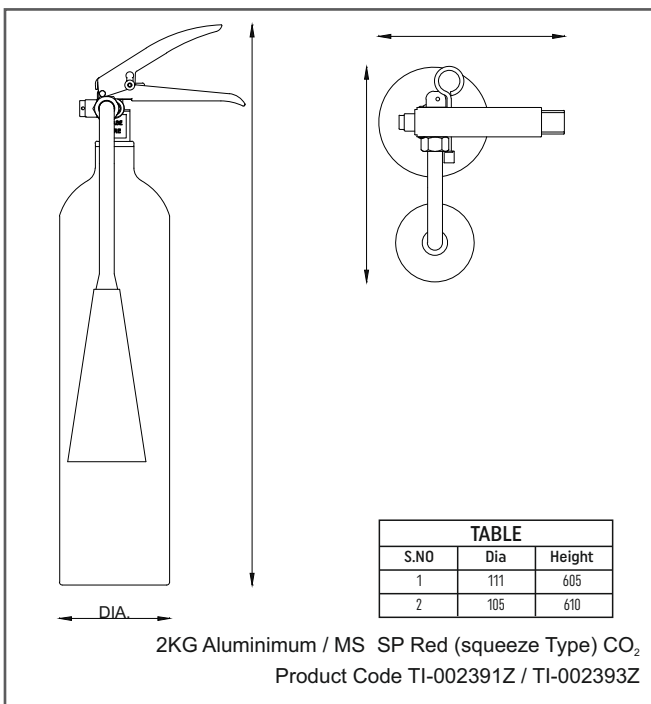
### PRODUCT OVERVIEW

A small fire can grow into a lethal blaze within seconds, and especially difficult to control are the volatile class B and C fires. These fires burn on flammable liquids and gases, that spread very fast and are extremely difficult to contain. Specially designed for such fires is the Ceasefire CO<sub>2</sub> based extinguishers. These extinguishers are packed with tremendous power, and are very effective in putting out these volatile class B fires. Ceasefire has a wide range of CO<sub>2</sub> based extinguishers that are available in a number of variants to choose from.

Ceasefire's CO<sub>2</sub> type extinguishers are the perfect weapon against large, hard-to-fight B class fires. This system makes use of Carbon Dioxide which is also known as dry ice. Due to its non-corrosive nature, it doesn't leave behind any residue after being sprayed to extinguish fires. At the same time, it causes no harm to the environment.



### ENGINEERING DRAWINGS



\*Engineering Drawing just to indicate dimensions measured, not to scale or design.



TECHNICAL SPECIFICATIONS

Product Code	UOM	TI-002391Z	TI-002393Z	TI-002392Z	TI-002394Z
Description	—	Fire Ext CO2 2KG Aluminium squeeze Grip SP Red	Fire Ext CO2 2KG MS squeeze Grip SP Red	Fire Ext CO2 5KG Aluminium squeeze Grip SP Red	Fire Ext CO2 5KG MS squeeze Grip SP Red
Capacity of Agent	KG	2 - 5%	2 - 5%	5 - 5%	5 - 5%
Certification	—	EN3 - KITEMARK PED	EN3 - KITEMARK PED	EN3 - KITEMARK PED	EN3 - KITEMARK PED
Diameter of Shell	MM	111	105	152	138
Total Height (approx.)		605	610	700	780
MOC of Shell	—	Al / Al / Alloy 6061	37Mn / 34CRM04	Al / Alloy 6061 / Al	37Mn / 37CrMo4
Min. Wall Thickness	MM	5.16	2.3	7.06	3
Test Pressure	BAR	250	250	250	250
Anti-Corrosive Treatment	—	Outer surfaces were EP Powder coated having Thickness 50 Micron Min. RAL Shade 3000	Outer surfaces were EP Powder coated having Thickness 50 Micron Min. RAL Shade 3000	Outer surfaces were EP Powder coated having Thickness 50 Micron Min. RAL Shade 3000	Outer surfaces were EP Powder coated having Thickness 50 Micron Min. RAL Shade 3000
Service Pressure	BAR	169.3	169.3	169.3	169.3
Type of Operating Mechanism	—	Squeeze Grip	Squeeze Grip	Squeeze Grip with Burst Disc.	Squeeze Grip with Burst Disc.
Type of Dis. Fitting & Length	MM	Bend and Horn Assembly	Bend and Horn Assembly	EPDM Rubber Braided Hose Pipe with nozzle Length of Hose 1000 mm	EPDM Rubber Braided Hose Pipe with nozzle Length of Hose 1000 mm
Throw up to (approx.)	METER	3	3	4	4
Min. Discharge Time	SEC.	6	6	9	9



Product Code	UOM	TI-002391Z	TI-002393Z	TI-002392Z	TI-002394Z
Fire Rating	—	34B	34B	89B	89B
Operating Temperature Range	°C	From -30 <sup>0</sup> C to + 60 <sup>0</sup> C	From -30 <sup>0</sup> C to + 60 <sup>0</sup> C	From -30 <sup>0</sup> C to + 60 <sup>0</sup> C	From -30 <sup>0</sup> C to + 60 <sup>0</sup> C
Applicable to Type of Fire	—	B & Electrical Started Fire	B & Electrical Started Fire	B & Electrical Started Fire	B & Electrical Started Fire
Filled Weight Range*	KG	5.40	7.00	12.6	14.8
Packed Weight Range (approx)**	KG	6.00	7.70	13.3	15.50
Packed Size Length x Width x Height	MM	160 X 130 X 595	160 X 130 X 600	210 X 170 X 710	210 X 150 X 780
Product Warranty	YEAR	1	1	1	1

\*It includes Empty Extinguisher, Contents, Plastic Base, Hose / Horn and bracket.

\*\*It includes Empty Extinguisher, Contents, Packaging, Plastic Base, Hose / Horn and bracket.

## CERTIFICATIONS



KM666994



**PRODUCT PICTURES**



**2 KG**



**5 KG**

\*v1' Published Date is 30-05-2026.

\*\*Regular R&D and product improvisations may lead to change in product specifications in this data sheet, without any prior notice.